



MAC2 Aluminium Lifting Column

Ideal for ergonomic industrial workplaces. Quality, Stability and Plug & Play!

MOVETEC



True Innovative Moving Technology



MAC2 - the recent Aluminum Lifting Column from Movetec.

MAC2 is designed with a view to future requirements for aesthetics and quality in ergonomic industrial workplaces. In the development emphasis was placed on high stability, aesthetics and a reasonable price level.

Strong and fast. The lifting column is designed for loads of max. 3500N, and the speed is up to 23.5mm/s unloaded.

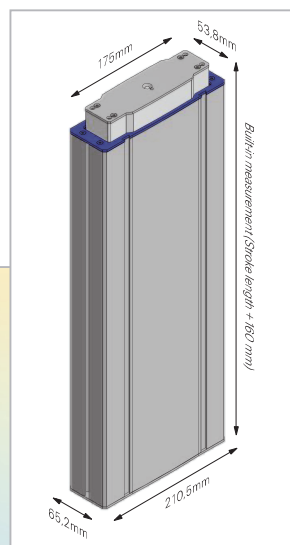
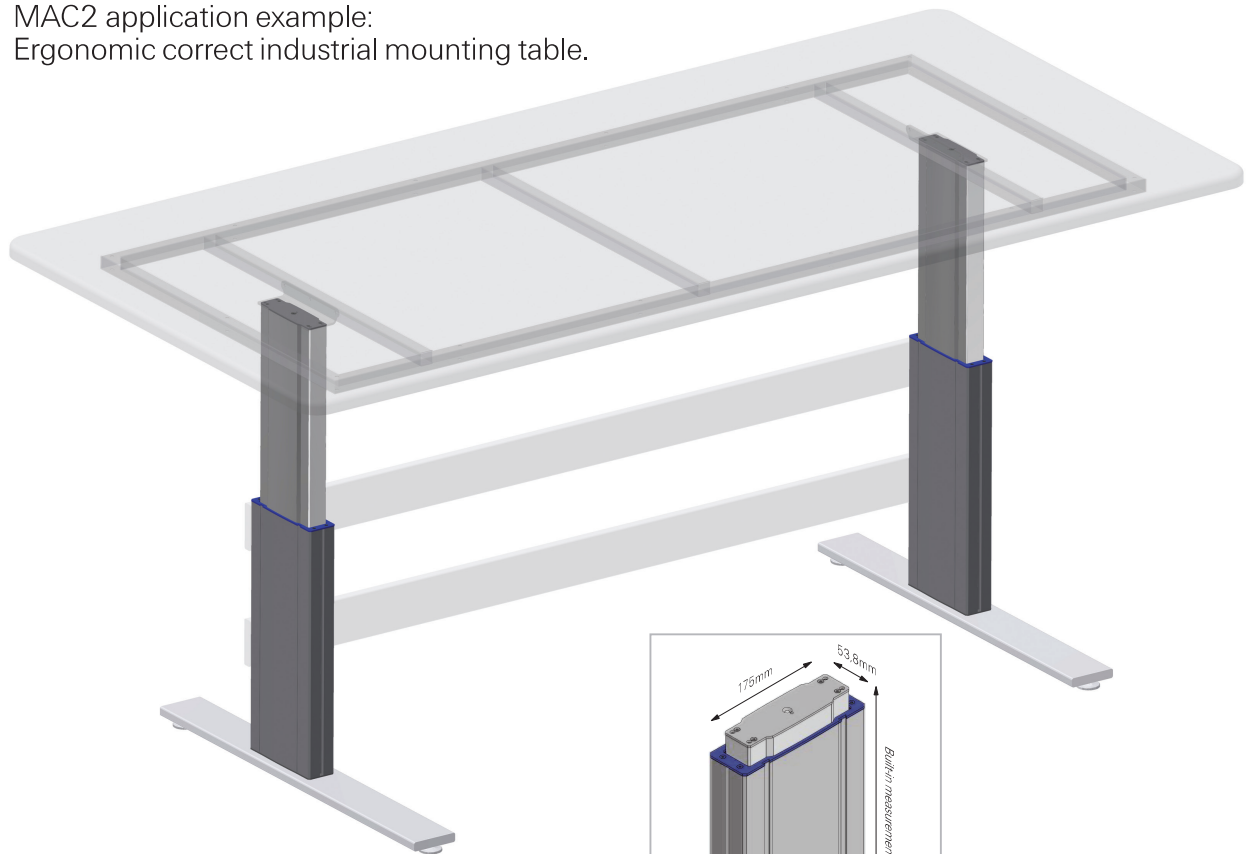
Plug & Play: MAC2 Lifting Columns is available as a complete Plug & Play solution, with one or more MAC2 Lifting Columns, a Movetec Control Box 230VAC, all cables and Control Panel.



NEW: Selecting a control box with Bluetooth®, the MAC2 can easily be controlled by an iPhone® or Android®- Smartphone.



MAC2 application example:
Ergonomic correct industrial mounting table.

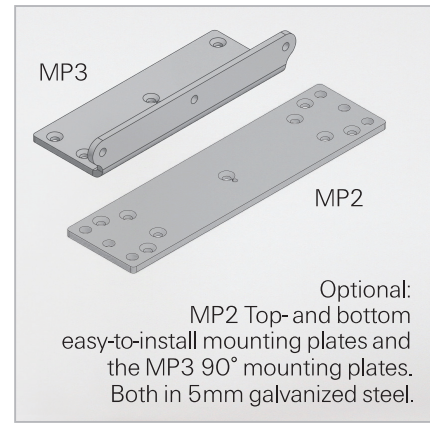


MAC2 Lifting Column Advantages:

- ➔ Max. load: 3500 N
- ➔ Bending moment: Max. 1000Nm
- ➔ Max. speed without load: 23.5mm/s (1500N)
- ➔ Stroke length: 100-600mm (special versions up to 1000mm possible)
- ➔ Outer profile: Anodized Aluminum
- ➔ Inner profile: Anodized Aluminum
- ➔ Double Hall-sensors: Yes
- ➔ Mounting tracks: Yes
- ➔ Synchronized drive: Yes, max. 12x lifting columns
- ➔ Control box: More options
- ➔ Control panel: With or without display, memory, Waterproof and for countersink mounting
- ➔ Options:
New Bluetooth® Control for iPhone® and Android® -Smartphones. Potentiometer. 12VDC. Stroke length up to 1000mm. Easy-to-install 5mm steel mounting plates.

MAC2 is quality, stability and flexibility.





Movetec Plug & Play Control Boxes, Control Panels and Accessory Program:

MAC2 can be used with all Movetec Control Boxes and Control Panels. Some Control Boxes can also be programmed for customer-specific applications/functions - please contact us with all your wishes, we are looking forward to your call: +45 64 89 28 05.



MOVETEC

Tel. +45 64 89 28 05 · www.movetec.dk



Bluetooth® is a registered trademark and are the property of the owner Bluetooth SIG, Inc.
Android® / Google Play® is registered trademarks and are the property of the owner Google Inc.
Apple® / App Store® is registered trademarks and are the property of the owner Apple Inc.
Other trademarks and trade names are the property of their respective owners.

Further information www.movetec.dk



True Innovative Moving Technology