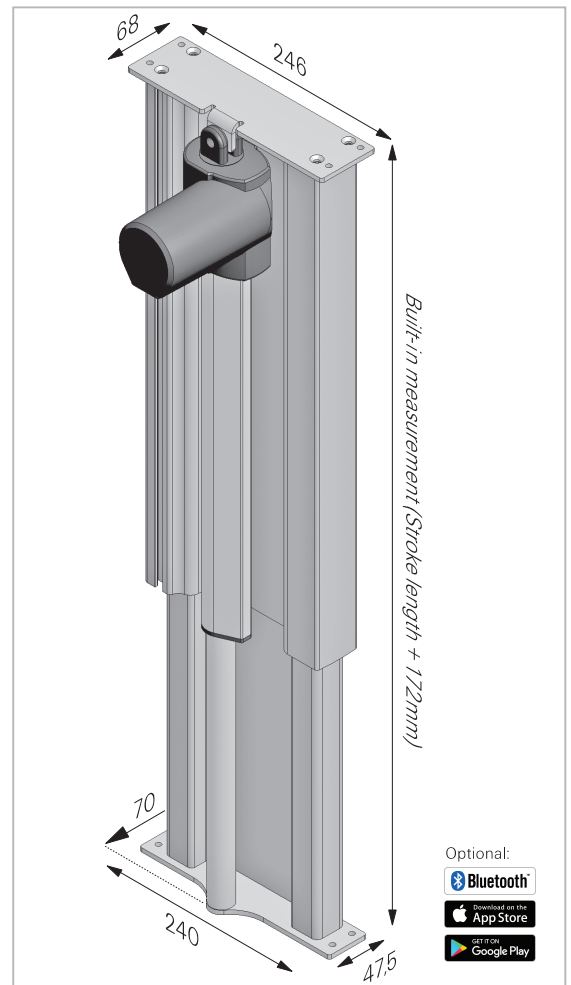


Aluminium Lifting Column

MAC210-00

Up to 8000N



Aluminium Lifting Column MAC210-00

To build stable/reliable, ergonomic workplaces. Flexible.

MAC210-00 has been specially developed to build stable/reliable and ergonomic workstations. This lifting column is extremely flexible as it is very easy to change the actuator and thus change the lifting force in MAC210-00.

Plug & Play: MAC210-00 is available as a Plug & Play solution, with one or more MAC210-00 columns, a Movetec control box 230 VAC, all cables and a control panel.

Selecting a control box with Bluetooth®, the MAC210-00 can easily be controlled by an iPhone® or Android® Smartphone.

Material specifications:

Outer profile: Anodized Aluminum
 Inner profile: Anodized Aluminum
 Friction sliders: POM Derivat
 Top plate: Steel
 Bottom plate: Steel
 Lifting drive parts/actuator: Aluminum, Steel, ABS, POM, PP

Technical data:

Max. load: 6000N (Optional 8000N)
 Dynamic bending moment: 800Nm
 Static bending moment: 1000Nm
 Max. speed without load: 27,1 mm/s (2000N)
 Stroke length: 100-600mm as standard (special versions up to 700mm possible)
 Installation length/Built-in measurement: Stroke length + 172mm
 Operating temperature: +5°C - +45°C
 Power supply/Voltage: 12V/24V DC
 Intermittens: 10%
 Double Hall-sensors: Yes
 Top plate size: 246mm x 68mm
 Bottom plate size: 240mm x 47.5mm/70mm
 Outer profile size: 210mm x 65/55mm
 Mounting track: Width top 9mm/bottom 22mm/depth 11mm
 Control box: More options, see www.movetec.dk
 Synchronized drive: Max. 12x lifting columns in synchronized drive
 Control panel: More options, see www.movetec.dk

Options: Bluetooth® Control for iPhone® and Android® Smartphones. Potentiometer. Stroke length up to 700mm. Small profile up. 8000N (Max. stroke length 300mm). 12V DC. 100% brake.

MOVETEC

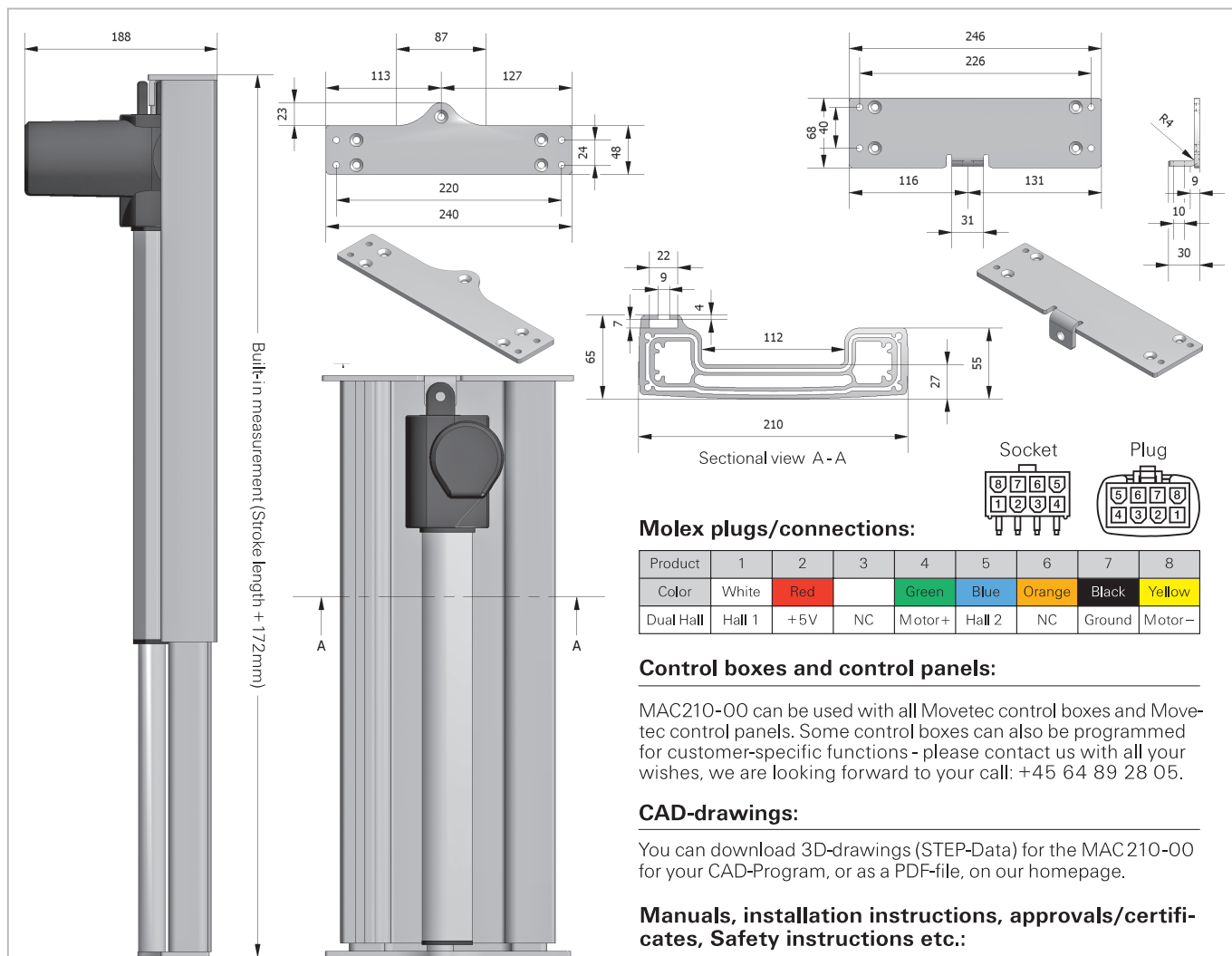


True Innovative Moving Technology

Aluminium Lifting Column

MAC210-00

Up to 8000N



Molex plugs/connections:

Product	1	2	3	4	5	6	7	8
Color	White	Red		Green	Blue	Orange	Black	Yellow
Dual Hall	Hall 1	+5V	NC	Motor+	Hall 2	NC	Ground	Motor-

Control boxes and control panels:

MAC210-00 can be used with all Movetec control boxes and Movetec control panels. Some control boxes can also be programmed for customer-specific functions - please contact us with all your wishes, we are looking forward to your call: +45 64 89 28 05.

CAD-drawings:

You can download 3D-drawings (STEP-Data) for the MAC210-00 for your CAD-Program, or as a PDF-file, on our homepage.

Manuals, installation instructions, approvals/certificates, Safety instructions etc.:

Installation manuals, assembly- and installation instructions, warnings, instructional videos and further information, can be found on our homepage: www.movetec.dk

Lifting columns data:

Gear/drive-type no.	Load, Push N	Load, Pull N	Typ. power consumption by load A	Speed, without load (32VDC) mm/s	Stroke length in mm	Built-in measurement (Stroke length+172mm) mm	Max. static bending moment Nm
O	2000	2000	4,1	27,1	100 - 600	272 - 772	1000
G	2000	2000	3,3	21,4	100 - 600	272 - 772	1000
Q	3500	3500	4,7	15,1	100 - 600	272 - 772	1000
L	6000	4000	4,3	7,6	100 - 600	272 - 772	1000



Further information → www.movetec.dk



Bluetooth® is a registered trademark and are the property of the owner Bluetooth SIG, Inc. Android®/ Google Play® is registered trademarks and are the property of the owner Google Inc. Apple®/ App Store® is registered trademarks and are the property of the owner Apple Inc. Other trademarks and trade names are the property of their respective owners.

© Copyright Movetec Solutions ApS. LKD/MAC210-00/dat020-UK/3/100/0119

MOVETEC

Tel. +45 64 89 28 05 · www.movetec.dk



True Innovative Moving Technology