

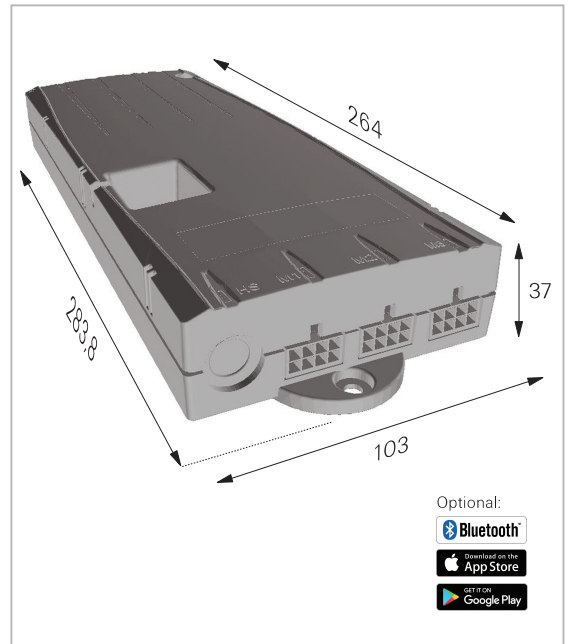
# Control Box for 3 Lifting Columns or Actuators

# MCB-COMPACT3



Optional:

**0.1 Watt**  
Standby Power Consumption



## Control Box MCB-COMPACT3

Robust and reliable High-Performance Control Box for 3 Lifting Columns or Actuators.

MCB-COMPACT3 features: flat, optimal design, high efficient switch mode power supply, free programmable software for speed control, plug/connector detection, detection of number of connected lifting columns or actuators, collision detection, configurable Reset- and Stop conditions, cascading of up to 4 control boxes, additional functions are available - depending of type of chosen control panel. Only 0.3 Watt Standby power consumption (0.1 Watt optional).

**Plug & Play:** MCB-COMPACT3 is a Plug & Play control box, complete with cables, and available with many different control panels, lifting columns or actuators - as a complete lifting column- or actuator set.

**Option:** By selecting a control box with Bluetooth®, lifting columns or actuators are easily controlled through the iPhone® or Android® smartphone. Select the Movetec MCB-COMPACT3 with Bluetooth®.

### Material specifications:

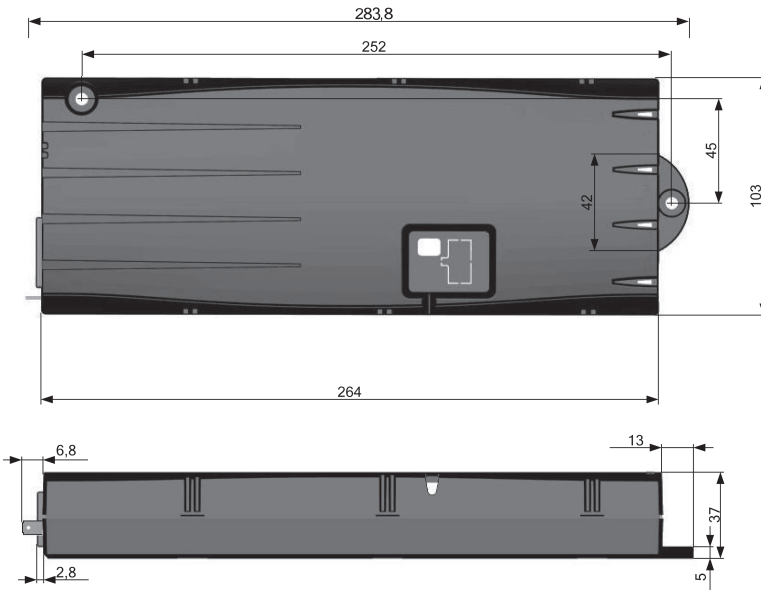
Housing, socket, plug, cable: PC, ABS, PVC, and other plastics. This product is RoHS compliant according to directive 2002/95/EC.

### Technical data:

Control box capacity, number of lifting columns/actuators: 3  
 Cascading/synchronous operation: Yes, max. 12 lifting columns/actuators  
 Effect: 3 motors, 360 W output performance. Intermittents: 10-25%  
 Rated voltage: EU/230V AC 50Hz, US/120V AC/60Hz  
 Power Supply Type: Highly efficient switch mode power supply (SMPS)  
 Operating voltage for internal and external electronics and Hall sensors: 5VDC +/-10% 250mA. Max. current per motor channel: 8A  
 Standby power consumption: 0,3 W or 0.1 W (optional)  
 Dimensions (L, W, H): 264mm x 103mm x 37mm. Weight: 523g  
 Memory positions: Up to 6, depending on the control panel/unit  
 Collision protection "ISP" Intelligent System Protection System: Yes  
 Ambient temperature during operation: 0-30 °C  
 IP class: IP20. Protection class (with earth terminal): I  
 Safety zone and sensor connection/sensor flow possible: Yes  
 Container-Stop, Shelf-Stop and Low-Speed-Zone: Yes  
 Plug Detection and automatic detection of number of lifting columns or actuators (depends of type of chosen lifting columns or actuators): Yes  
 Configurable stop conditions (overtemperature, overcurrent, timeout, limit switches): Yes  
**Options:** 0.1 W low Standby power consumption, additional functions (such as saving positions, adjusting to a position, etc. depending on the execution of the control panel/units) possible, control box cascading.

# Control Box for 3 Lifting Columns or Actuators

# MCB-COMPACT3



Dimensions in mm; Tolerances according to DIN ISO 2768-1 c.

### DIN and Molex Sockets and Plugs:

DIN socket for all control panels, Molex socket connectors for all lifting columns and actuators.

### Control Panels, Lifting Columns and Actuators:

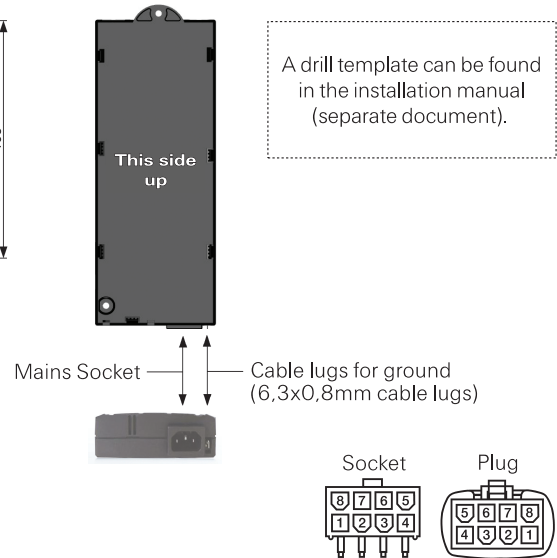
MCB-COMPACT3 can work with most Movetec control panels, and all Movetec lifting columns and actuators. MCB-COMPACT3 control boxes can also be programmed for custom applications and functions - please contact us for information, we will look forward to your call: +45 64 89 28 05.

### CAD-drawings:

You can download 3D-drawings (STEP-Data) for MCB-COMPACT3 for your CAD-Program or as a PDF-file on our homepage.

### Manuals, installation instructions, approvals/certificates, Safety instructions etc.:

Installation manuals, assembly- and installation instructions, warnings, instructional videos and further information, can be found on our homepage: [www.movetec.dk](http://www.movetec.dk)



### Pin assignment of Molex Motor-socket:

8	7	6	5	1	Hallsensor 1	5	Hallsensor 2, Limit switch 1
1	2	3	4	2	+5V	6	SYN
				3	Limit switch 2	7	GND
				4	Motor +	8	Motor -

Connection	Description
Motor + / Motor -	Power supply lines for motors
Hallsensor 1,2	Sensor input lines for Hall sensors
+5V, GND	Power supply lines (e.g. for Hall sensors)
SYN	Reserved
Limit switch 1,2	Digital sensor input lines for limit switches

### Pin assignment of DIN Control Panel socket:

1	RxD	5	HS2
2	HS3	6	TxD
3	HS1	7	+5V
4	HS4	Shell	GND

Pin assignment of control panel socket; pin alignment according to DIN 45329

Connection	Description
TxD / RxD	Pins for communication (communication protocol)
+5V, GND	Power supply lines for control panel
HS X	Parallel control panel input lines

### Pin assignment of Molex Connector DATA:

8	7	6	5	1	RxD	5	Signal 2
1	2	3	4	2	GND	6	Signal 1
				3	Signal 3	7	+5V
				4	Signal 4	8	TxD

Connection	Description
TxD / RxD	Pins for communication (communication protocol)
+5V, GND	Power supply lines
Signal 1,2	Digital I/O lines
Signal 3,4	Analogue input lines



Bluetooth® is a registered trademark and are the property of the owner Bluetooth SIG, Inc. Android®/ Google Play® is registered trademarks and are the property of the owner Google Inc. Apple®/ App Store® is registered trademarks and are the property of the owner Apple Inc. Other trademarks and trade names are the property of their respective owners.

Further information → [www.movetec.dk](http://www.movetec.dk)



© Copyright Movetec Solutions ApS: LKD/MCB-COMPACT3/dta064-UK/3/100/0818



Tel. +45 64 89 28 05 · [www.movetec.dk](http://www.movetec.dk)



True Innovative Moving Technology