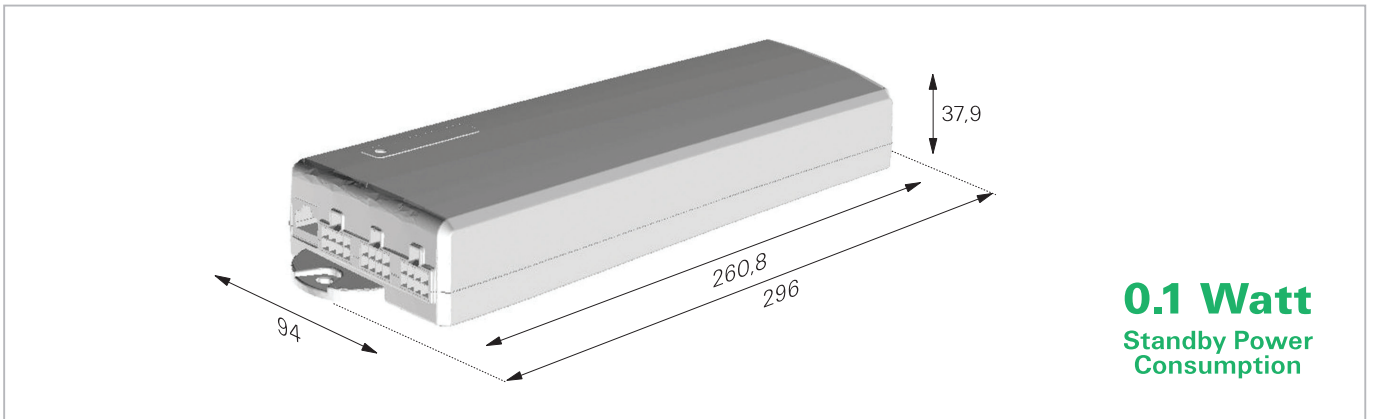
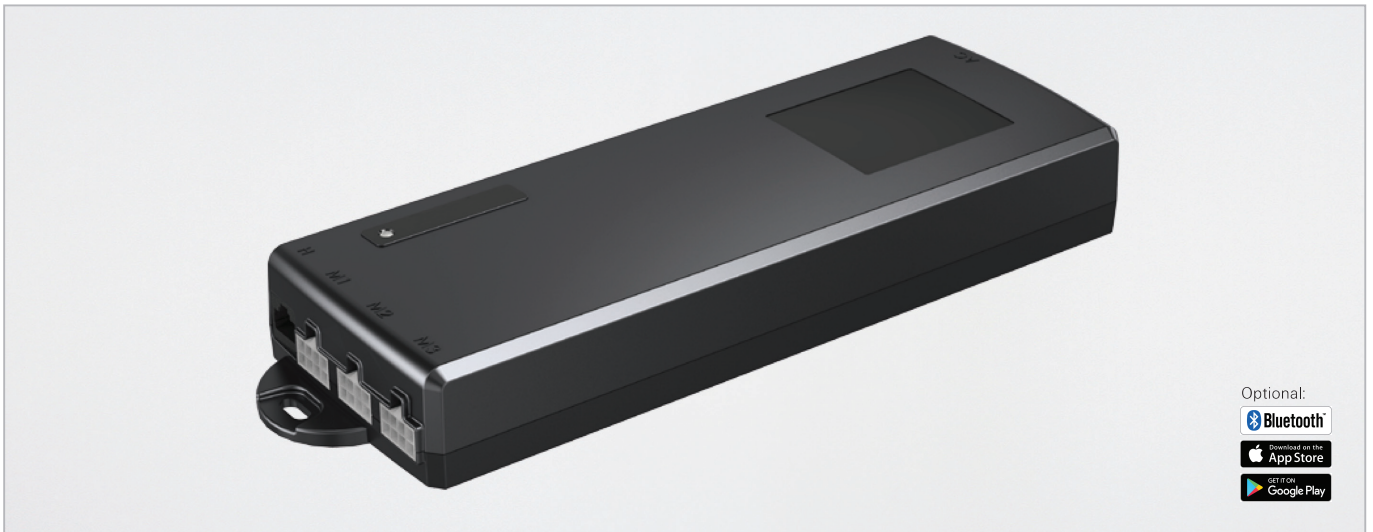


**Control Box** for 3 Lifting Columns or Actuators

**MCB-TC16**



**Control Box MCB-TC16**

Low Standby Power Consumption, High Performance Control Box for 3 lifting columns/actuators.

MCB-TC 16 is specially designed for adjustable desks/workstations, but also very suitable and configured for all industrial and medical applications. MCB-TC 16 has a highly efficient SMPS power supply, a flat design, small mounting dimensions, programmable software, synchronous operation/cascading of several control boxes, and also possibilities for special functions, e.g. anti-collision and individual custom software design, offers more complex options for your system/application.

**Plug & Play:** MCB-TC16 is a Plug & Play control box, complete with cables, and available with many different control panels, lifting columns or actuators - as a complete lifting column- or actuator set.

**Option:** By selecting a control box with Bluetooth®, lifting columns or actuators are easily controlled through the iPhone® or Android® smartphone. Select the Movetec MCB-TC 16 with Bluetooth®.

**Material specifications:**

Housing, socket, plug, cable: PC, ABS, PVC, and other plastics.

**Technical data:**

Control box capacity, number of lifting columns/actuators: 3  
 Cascading/synchronous operation: Yes, max. 6 lifting columns/actuators  
 Power: Max. output 32V DC, 4A/7.5A  
 Sockets and plugs: Lifting column/actuator: Molex. Control Panel: RJ10  
 Application: Suitable for all Movetec lifting columns and actuators  
 Intermittents: 10-25%  
 Rated voltage: 120-240V AC 50/60Hz  
 Power plug support: EU, USA, AUS, UK and JPN  
 Power Supply Type: Highly efficient switch mode power supply (SMPS)  
 Hall sensors and potentiometers compatible: Yes  
 Standby power consumption: 0.1 W  
 Dimensions (L, W, H): 296mm x 94mm x 37.9mm  
 Mounting: 2x screws, head size ø4mm and ø5mm  
 Memory positions: Yes, depending on the control panel/unit  
 Collision protection/anti-collision systems, low-speed zone possible: Yes  
 Ambient temperature during operation: +5°C - +45°C  
 IP class: IP20. Protection class II/double insulated electrical appliance  
 Safety zone and sensor flow possible: Yes  
 Configurable stop conditions, limit switches: Yes

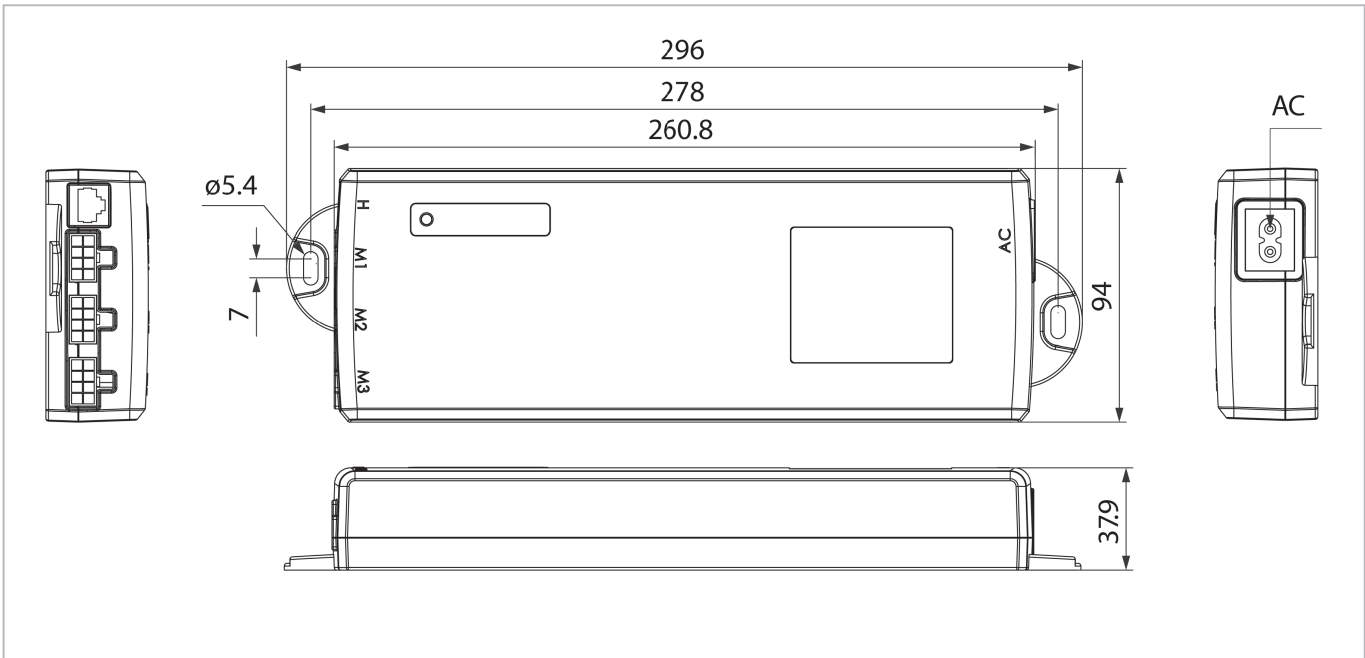
Options: Additional functions (such as saving positions, adjusting to a position, etc. depending on the execution of the control panel/units).



True Innovative Moving Technology

# Control Box for 3 Lifting Columns or Actuators

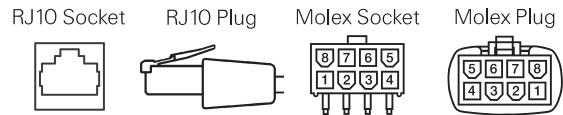
# MCB-TC16



**Perfect fit:** Movetec's range of control boxes ensure a perfect fit for manufacturers applications. Depending on the applications required components and functionality, customized software can be written to manage the various movements expected from the complete system. Movetec's control boxes are designed for industries such as home furniture, workplace ergonomics, medical applications and industrial applications.

**Customizable Software:** Movetec makes highest quality electric lifting column and linear actuator systems available. A key part of these motion systems is the control box which serves as the brains of the systems. Software within these control boxes are custom designed by our dedicated software engineering team to ensure compatibility with your systems components. Custom software design also provides your system with higher complexity options such as synchronization and simultaneous movement.

**Individual, Synchronized or Simultaneous Movement:** Potentiometers and Hall Effect sensors are used to send feedback signals to the control box. These signals relay the accurate, current position of an electric lifting column or linear actuator and can be used when synchronization or simultaneous movement between two or more electric lifting columns or linear actuators is required. Examples of applications which require synchronization are height adjustable desks, medical beds and for countless industrial applications. Within a synchronized application, the actuators will be required to maintain exactly the same level of travel between two or more electric Lifting Columns or linear actuators. If the electric lifting columns or linear actuators within the application do not maintain synchronization, the application will not maintain the proper level.



### RJ10 and Molex Sockets and Plugs:

RJ10 socket for all control panels, Molex socket connectors for all lifting columns and actuators.

### Control Panels, Lifting Columns and Actuators:

MCB-TC16 can work with most Movetec control panels, and all Movetec lifting columns and actuators. MCB-TC16 control boxes can also be programmed for custom applications and functions - please contact us, we will look forward to your call: +45 64 89 28 05.

### CAD-drawings:

You can download 3D-drawings (STEP-Data) for MCB-TC16 for your CAD-Program or as a PDF-file on our homepage.

### Manuals, installation instructions, approvals/certificates, Safety instructions etc.:

Installation manuals, assembly- and installation instructions, warnings, instructional videos and further information, can be found on our homepage: [www.movetec.dk](http://www.movetec.dk)



Bluetooth® is a registered trademark and are the property of the owner Bluetooth SIG, Inc. Android®/ Google Play® is registered trademarks and are the property of the owner Google Inc. Apple®/ App Store® is registered trademarks and are the property of the owner Apple Inc. Other trademarks and trade names are the property of their respective owners.

Further information → [www.movetec.dk](http://www.movetec.dk)



© Copyright: Movetec Solutions ApS. LKID/MCB-TC16/dat0704UK/3/100/0818



Tel. +45 64 89 28 05 · [www.movetec.dk](http://www.movetec.dk)



True Innovative Moving Technology