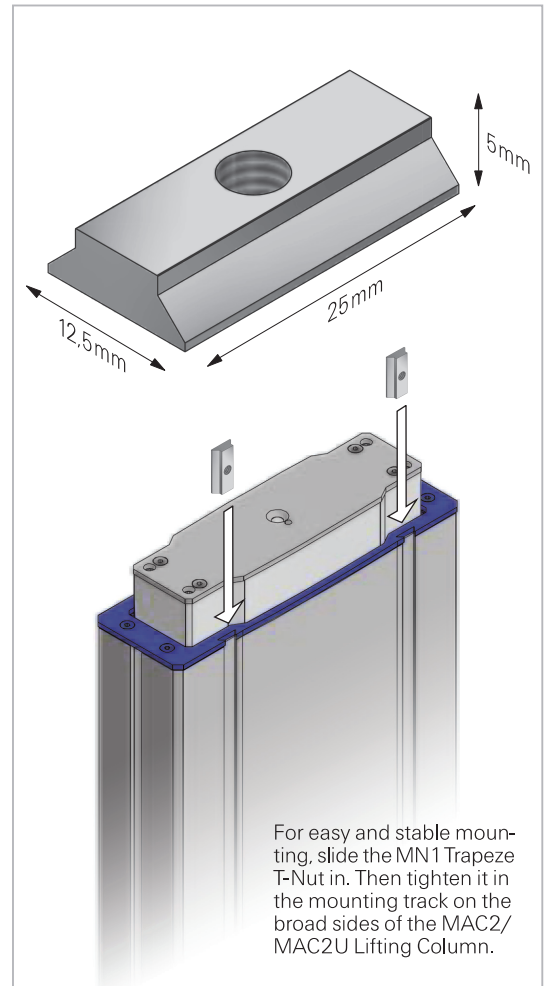


# Trapez T-Nut for MAC2 Lifting Column

MN1



For easy and stable mounting, slide the MN1 Trapeze T-Nut in. Then tighten it in the mounting track on the broad sides of the MAC2/MAC2U Lifting Column.

## Trapez T-Nut for MAC2 Lifting Column

Steel T-Nut for easy, safe and solid mounting of MAC2

MN 1 T-Nut for MAC2/MAC2U Lifting Column. The T-Nuts are designed for secure and reliable installation of MAC2/MAC2U Lifting Columns in any application. The trapezium-shaped T-Nuts fit perfectly into the mounting tracks in MAC2/MAC2U Lifting Columns.

MN 1 T-Nuts are designed for mounting on the broad side of MAC2/MAC2U Lifting Columns. MN 2 T-Nuts are designed for the narrow side.

NB: If you decide to secure the lifting column via the MAC2/MAC2U mounting tracks, it is important to use MN 1 or MN 2 T-Nuts to achieve correct installation and strength. The number of MN 1 T-Nuts you must use depends on the load that the mounting track/lifting column will be exposed to.

### Material specifications:

Material: Galvanized steel  
Surface Treatment: Electroplating  
Option: Stainless steel

### Technical data:

Dimensions, base: 25 mm x 12.5 mm  
Dimensions, top: 25 mm x 7.5 mm  
Depth: 5 mm  
Fits: MAC2 and MAC2U  
Fits spline/mounting track, width: 8 mm  
Trapeze angle on sides: 45°  
Max. load (T-Nut): 1000N (depends on load angle)  
Uses: Attachment to broad sides of MAC2/MAC2U Lifting Columns  
Screw hole: M6  
No. of screw holes: 1  
No. of MN 1 T-Nuts per mounting track in MAC2/MAC2U Lifting Column: Determined by the load that the mounting track/lifting column will be exposed to.  
Max. torque when fitting in MAC2/MAC2U mounting tracks (with screws): 6.8 Nm

Option: Complete fitting kit with customer-specific contents can be supplied with MAC2/MAC2U Lifting Columns.

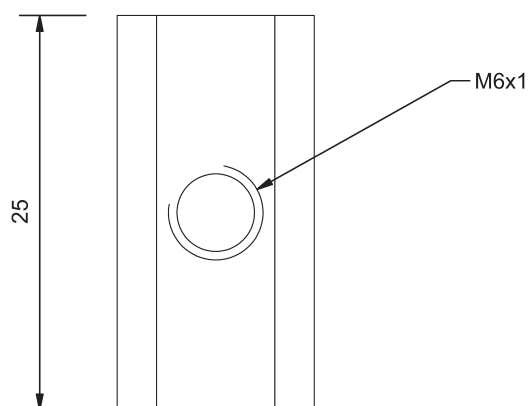
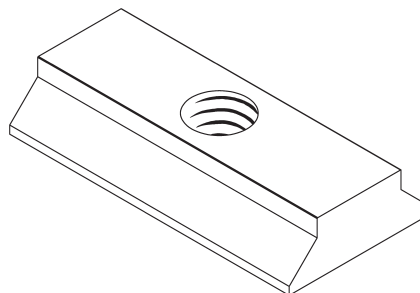
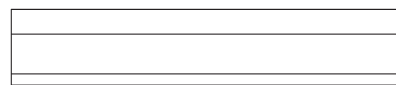
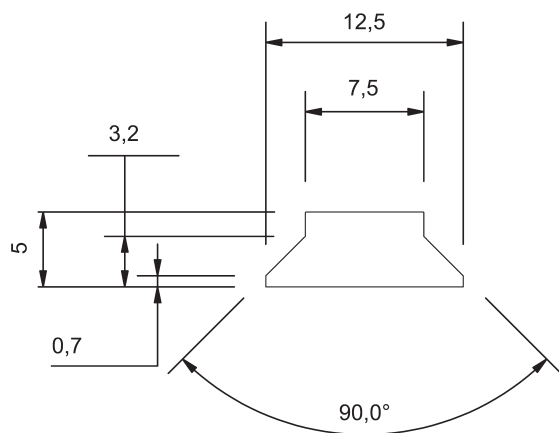
# MOVETEC



True Innovative Moving Technology

## Trapez T-Nut for MAC2 Lifting Column

MN1

**Accessories, mounting screws, special parts and more:**

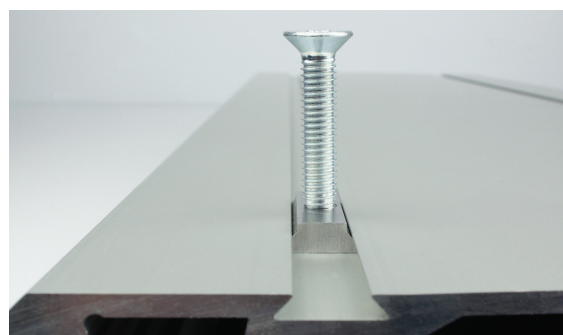
Accessories available for the MAC2/MAC2U Lifting Columns include sturdy mounting plates for top and base, mounting plates for 90° right-angled fitting, a range of T-Nuts, self-tapping screws/bolts and mounting screws/bolts. Fittings/parts and mounting plates are available to order in customer-specific sizes and designs. You are welcome to contact us at any time if you need advice, have specific requirements or need further information. Call us on +45 64 89 28 05. We also offer tailor-made and Plug and Play solutions.

**CAD-drawings:**

You can download 3D-drawings (STEP-Data) for the MN1 for your CAD-Program, or as a PDF-file, on our homepage.

**Manuals, installation instructions, approvals/certificates, Safety instructions etc.:**

Installation manuals, assembly- and installation instructions, warnings, instructional videos and further information, can be found on our homepage: [www.movetec.dk](http://www.movetec.dk)



Further information → [www.movetec.dk](http://www.movetec.dk)



© Copyright Movetec Solutions ApS. LKD/MN1/dtd046-UK/3/100/0219

# MOVETEC

Tel. +45 64 89 28 05 · [www.movetec.dk](http://www.movetec.dk)



True Innovative Moving Technology