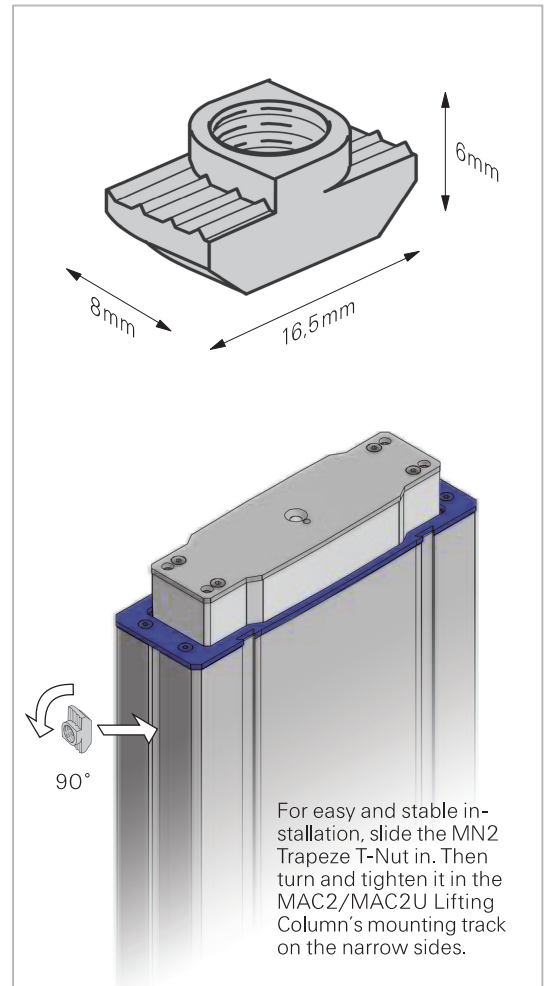
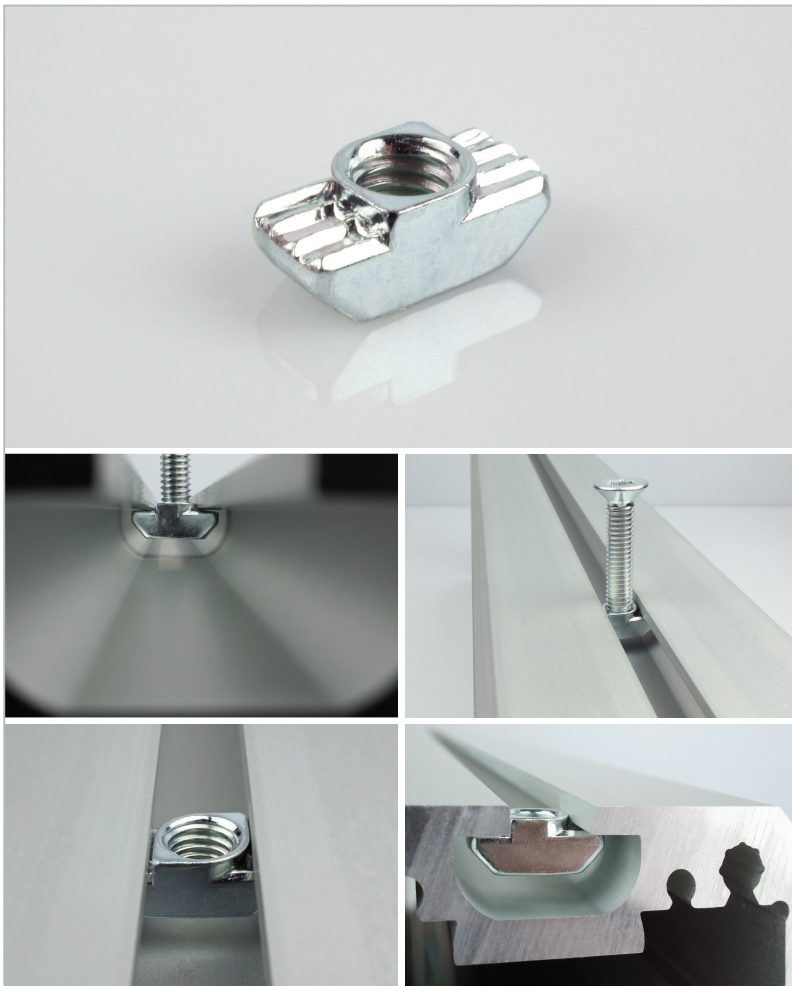


T-Nut for MAC2 Lifting Column

MN2



MN2 T-Nut for MAC2 Lifting Column

Steel T-Nut for easy, safe and solid mounting of MAC2

MN2 Trapeze T-Nuts for MAC2/MAC2U Lifting Columns. The Trapeze T-Nuts are designed for secure and reliable installation of MAC2/MAC2U Lifting Columns in any application. MN2 Trapeze T-Nuts fit into the mounting tracks on MAC2/MAC2U Lifting Columns.

MN2 Trapeze T-Nuts are mounted on the narrow sides of MAC2/MAC2U Lifting Columns. MN1 T-Nuts are designed for the broad sides.

NB: If you decide to secure the lifting column using the mounting tracks in the MAC2/MAC2U profiles, it is important to use MN2 or MN1 T-Nuts to achieve correct installation and strength. The number of MN2 Trapeze T-Nuts you use depends on the load that the mounting track/lifting column will be exposed to.

Material specifications:

Material: Galvanized steel
 Surface Treatment: Electroplating
 Option: Stainless steel

Technical data:

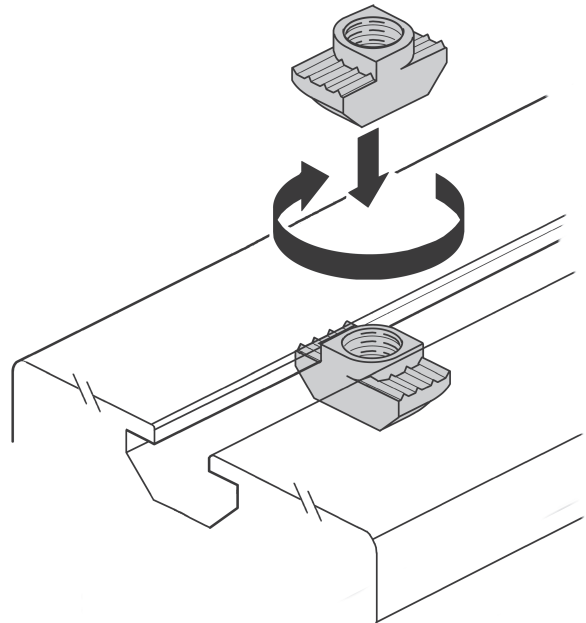
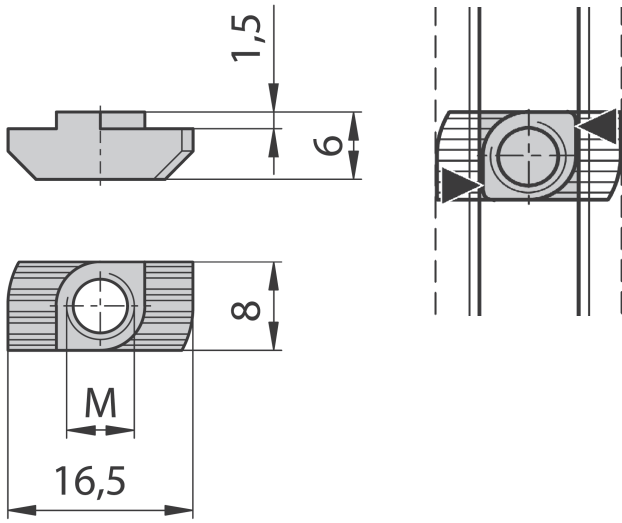
Dimensions, top: 16.5 mm x 8 mm
 Dimensions, base: 11.5 mm x 8 mm
 Depth: 6 mm (4.5 mm + stop for correct location in the track: 1.5 mm)
 Fits spline/mounting track, width: 8 mm
 Fits: MAC2 and MAC2U
 Trapeze angle on sides: 45°
 Max. load (T-Nut): 1000 N (depends on load angle)
 Uses: Attachment to narrow sides of MAC2/MAC2U Lifting Columns
 Stop for correct location in profile track: Yes
 Screw hole: M6
 No. of screw holes: 1
 No. of MN2 Trapeze T-Nuts per mounting track in MAC2 Lifting Column: Determined by the load that the mounting track/lifting column will be exposed to.
 Max. torque when fitting in MAC2/MAC2U mounting tracks (with screws): 6.8 Nm


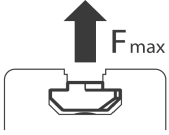
Option: Complete fitting kit with customer specific contents can be supplied with MAC2/MAC2U Lifting Columns.



T-Nut for MAC2 Lifting Column

MN2



Slot 	
8 (M6)	1000N



Accessories, mounting screws, special parts and more:

Accessories available for MAC2/MAC2U Lifting Columns include sturdy mounting plates for top and base, mounting plates for 90° right-angled fitting, a range of T-Nuts, self-tapping screws/bolts and mounting screws/bolts. Fittings/parts and mounting plates are available to order in customer-specific sizes and designs. You are welcome to contact us at any time if you need advice, have specific requirements or need further information. Call us on +45 64 89 28 05. We also offer tailor-made solutions and Plug and Play solutions.

CAD-drawings:

You can download 3D-drawings (STEP-Data) for the MN2 for your CAD-Program, or as a PDF-file, on our homepage.

Manuals, installation instructions, approvals/certificates, Safety instructions etc.:

Installation manuals, assembly- and installation instructions, warnings, instructional videos and further information, can be found on our homepage: www.movetec.dk

Further information www.movetec.dk



© Copyright Movetec Solutions ApS. LKD/MN2/dat049-UK/3/100/0219

MOVETEC

Tel. +45 64 89 28 05 · www.movetec.dk



True Innovative Moving Technology