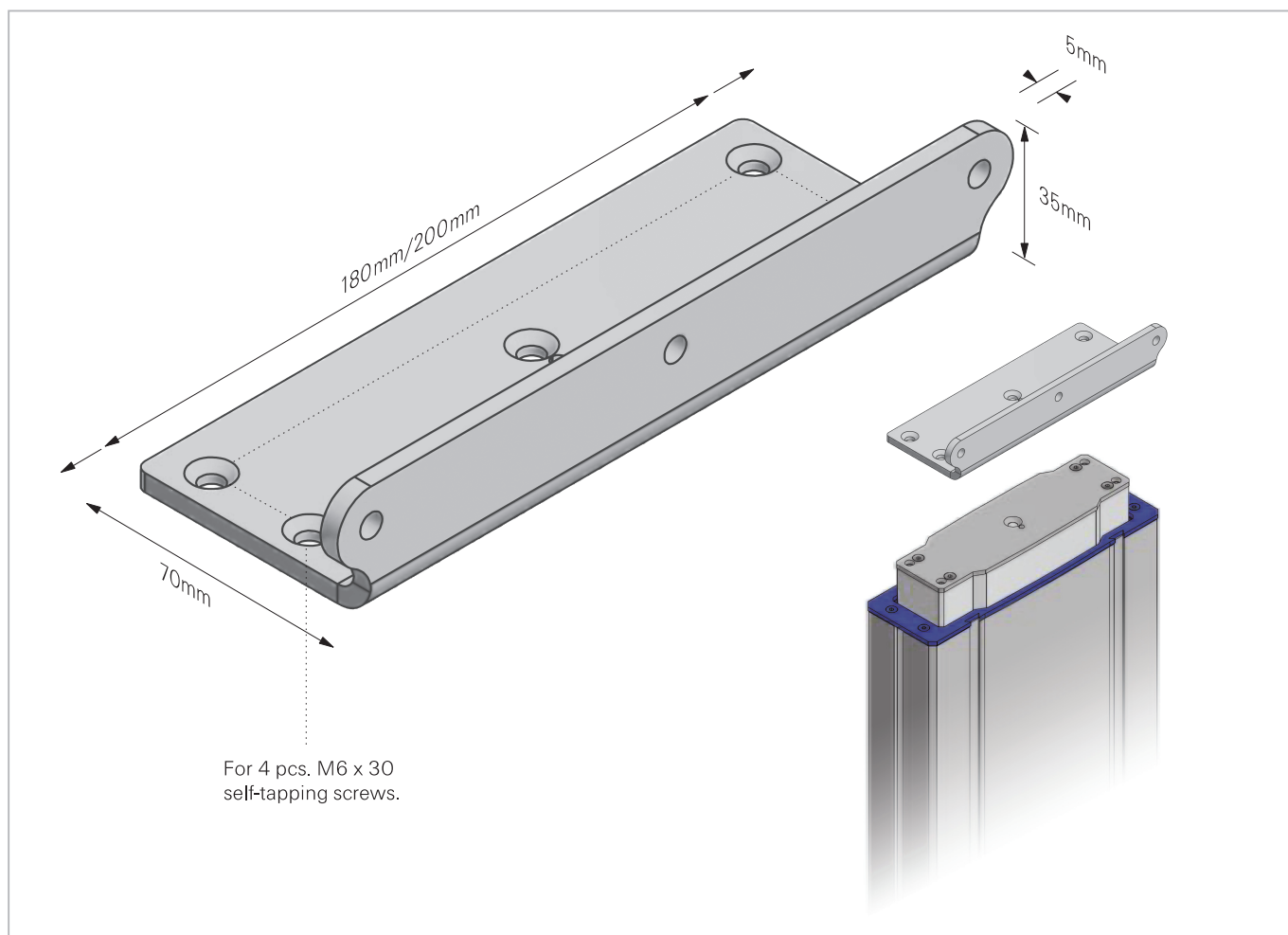


# 90° Mounting Plates for MAC2 Lifting Column MP3



## 90° Mounting Plates for MAC2 Lifting Columns

Strong Steel mounting plates for easy MAC2 mounting

MP3 Mounting Plates is produced for MAC2 lifting columns. The mounting plates is designed for easy and simple install of the MAC2 Lifting Columns in your application, by using the 3 x Ø 6.5 mm mounting holes.

The MP3 90° Mounting Plates can be used, for example, where the MAC2 Lifting Columns are going to be mounted in the side of a profile, or other 90° MAC2 Lifting Columns attachment.

It is important to use the right screws for the mounting of the MP3 Mounting Plates on the MAC2 Lifting Column: 4 pcs. of M6 x 30

### Material specifications:

Material: 5mm galvanized steel  
Surface Treatment: Electroplating  
Screws: Steel

Option:  
Powder-lacquered/coated MP3 Mounting Plates (all RAL colors).

### Technical data:

Mounting plates size: 200mm x 70mm  
Mounting plates height: 35mm  
Field of application: For 90° mounting  
Thickness: 5mm  
Mounting screw holes: Ø 6,5mm  
Number of mounting screw holes: 3  
Plate mounting on the MAC2: 4 pcs. M6 x 30 self-tapping screws in the aluminium profile.  
MP3 plate mounting screw holes: Ø 6,5mm  
Number of MP3 plate mounting screw holes: 4  
Max. torque for screw mounting in MAC2 profiles: 6.8Nm at M6 x 30  
Maximum load: 3500N  
Dynamic bending moment: 500Nm  
Static bending moment: 1000Nm

The mounting plates should be protected from longer water and humidity exposure to prevent corrosion.  
Operating temperature: + 5°C - + 45°C (same as MAC2)

Option:  
Movetec offers the MAC2 Lifting Columns with pre-mounted MP3 Mounting Plates, directly from the factory in Denmark.

# MOVETEC



True Innovative Moving Technology

