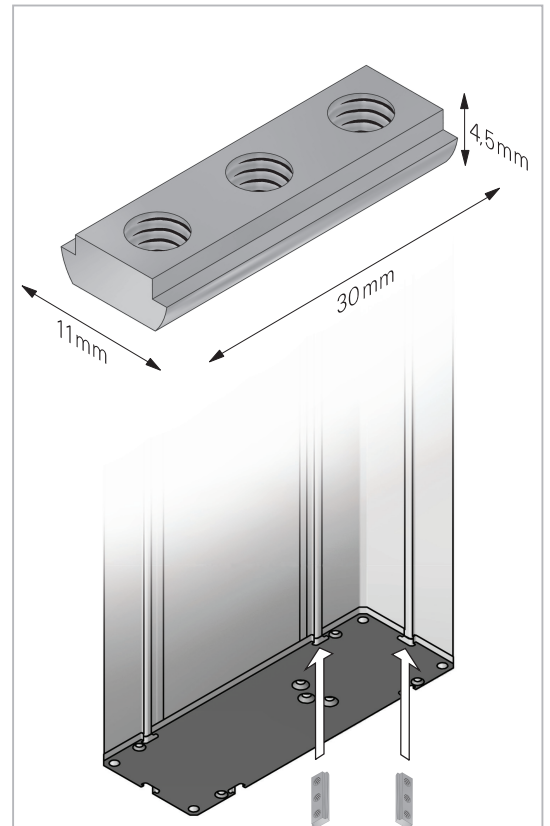


# Trapez T-Nut for MAC Lifting Columns

MN3



For easy and stable mounting, slide the MN3 Trapeze T-Nut in. Then tighten it in the mounting track on the broad or narrow sides of the MAC/MAC U Lifting Column.

## Trapez T-Nut for MAC Lifting Columns MN3

T-Nut for easy, safe and solid mounting of MAC/MAC U

MN3 T-Nut for MAC/MAC U Lifting Columns. The T-Nuts are designed for secure and reliable installation of MAC/MAC U Lifting Columns in any application. The trapezium-shaped T-Nuts fit perfectly into the mounting tracks in MAC/MAC U Lifting Columns. MN3 T-Nuts are designed for mounting on the broad and narrow side of MAC/MAC U Lifting Columns (on the broad side of MAC2/ MAC2U use the MN1 Trapez T-Nut instead).

NB: If you decide to secure the lifting column via the MAC/ MAC U mounting tracks, it is important to use MN1, MN2 or MN3 T-Nuts to achieve correct installation and strength. The number of MN3 T-Nuts you must use depends on the load that the mounting track/ lifting column will be exposed to.

### Material specifications:

Material: Hard Aluminium alloy  
Surface Treatment: Nature, raw  
Option: Stainless steel

### Technical data:

Dimensions, base: 30mm x 11mm  
Dimensions, top: 30mm x 7.9mm  
Depth: 4,5mm  
Fits: MAC and MAC U  
Fits spline/mounting track, width: 8mm  
Trapeze angle on sides: Round  $\phi$ 11mm  
Max. load (T-Nut): 1000N (depends on load angle)  
Uses: Attachment to broad and narrow sides of MAC/MAC U Lifting Columns (on the broad side of MAC2/ MAC2U use the MN1 Trapez T-Nut instead).  
Screw hole: M6  
Number of screw holes: 3  
Number of MN3 T-Nuts per mounting track in MAC/MAC U Lifting Column: Determined by the load that the mounting track/lifting column will be exposed to  
Max. torque when fitting in MAC/MAC U mounting tracks (with screws): 6.8 Nm

**Option:** Complete fitting kit with customer-specific contents can be supplied with MAC/MAC U Lifting Columns.

# MOVETEC



True Innovative Moving Technology

# Trapez T-Nut for MAC Lifting Columns

**MN3**

**Accessories, mounting screws, special parts and more:**

Accessories available for the MAC/MAC U Lifting Columns include sturdy mounting plates for top and base, mounting plates for 90° right-angled fitting, a range of T-Nuts, self-tapping screws/bolts and mounting screws/bolts. Fittings/parts and mounting plates are available to order in customer-specific sizes and designs. You are welcome to contact us at any time if you need advice, have specific requirements or need further information. Call us on +45 64 89 28 05. We also offer tailor-made and Plug and Play solutions.

**CAD-drawings:**

You can download 3D-drawings (STEP-Data) for the MN3 for your CAD-Program, or as a PDF-file, on our homepage.

**Manuals, installation instructions, approvals/certificates, Safety instructions etc.:**

Installation manuals, assembly- and installation instructions, warnings, instructional videos and further information, can be found on our homepage: [www.movetec.dk](http://www.movetec.dk)

Further information → [www.movetec.dk](http://www.movetec.dk)

INSTALL VIDEO PHOTO DATA BUILD E-MAIL 3D-CAD CE-APP

© Copyright Movetec Solutions ApS. LKD/MN3/dat231-UK/2/100/1019

# MOVETEC

Tel. +45 64 89 28 05 · [www.movetec.dk](http://www.movetec.dk)



*True Innovative Moving Technology*