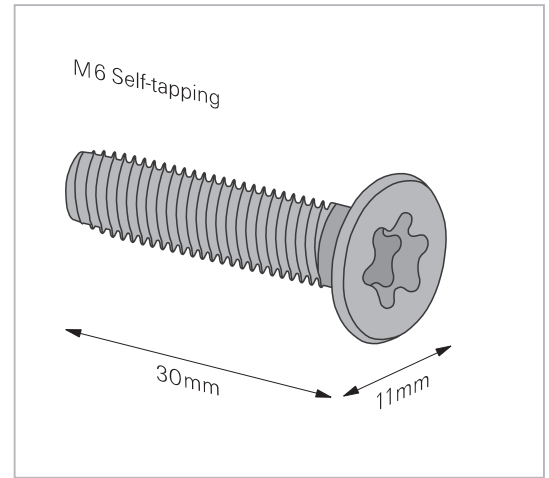
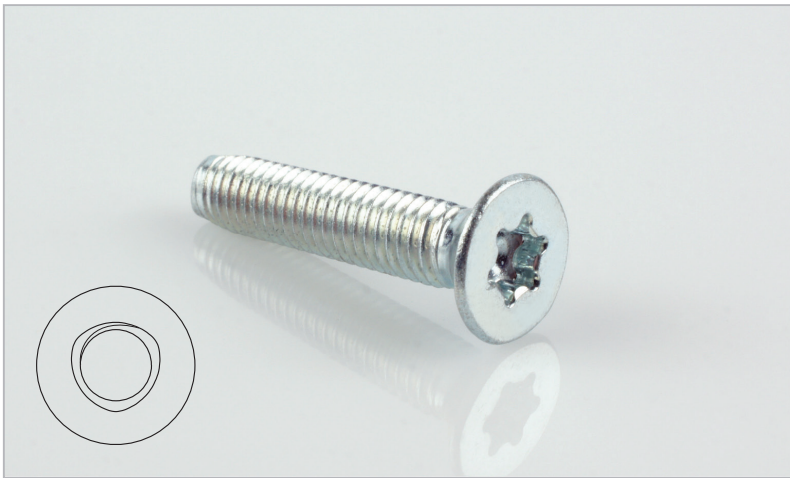
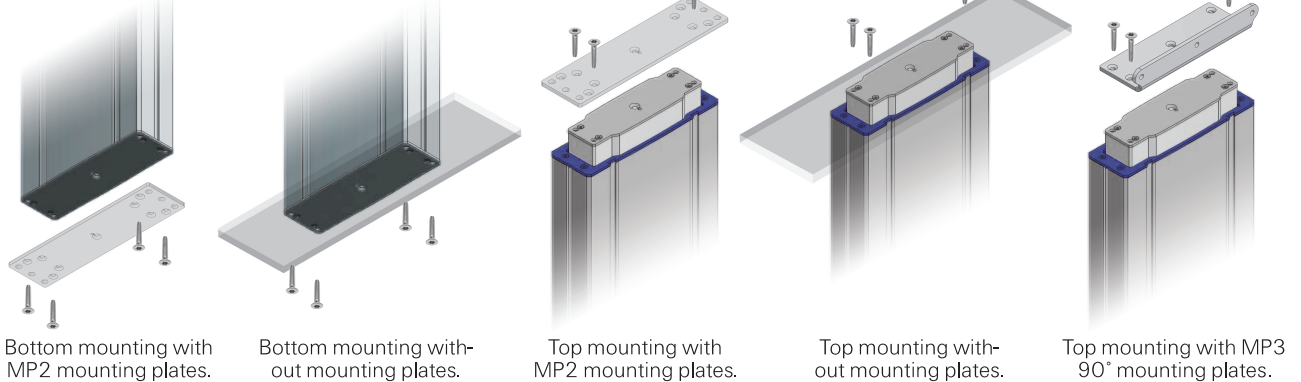


Self-tapping Screws for MAC Lifting Columns MSS1



Mounting with MSS1 Self-tapping Screws:



Self-tapping Screws for MAC lifting columns

Stable installation of MAC lifting columns & fitting mounting

MSS1 Self-tapping Screws for fastening the MAC-series Lifting Columns. MSS1 Self-tapping Screws ensure a secure and reliable installation of the MAC-series Lifting Columns in any application, or for mounting Movetec mounting plates. MSS1 Self-tapping Screws for the MAC-series Lifting Columns fit into the pre-drilled holes in the aluminium profiles in the MAC-series Lifting Columns.

NB: If you decide to fastening MAC-series Lifting Columns using the holes in the aluminium profiles, it is very important to use MSS1 Self-tapping Screws in order to achieve correct installation and strength. Use 4 x MSS1 screws at each end of a MAC-series Lifting Column. Similarly, for correct and secure/reliable installation of Movetec MP Mounting Plates on the MAC-series Lifting Columns, always use MSS1 Self-tapping Screws.

Material specifications:

Material: Galvanized steel
Surface Treatment: Electroplating, lubr.

Technical data:

Norm: DIN 7500
Dimensions: M6 x 30
Length: 30 mm
Diameter/thickness: 6 mm
Thread: M6 self-tapping
Screw head size: 11 mm
Screw head shape: Countersink
Countersink angle: 45°
Slot: Torx T-30
Fits: MAC-series Lifting Columns
Max. load (pull): 3500 N (depends on load angle)
Uses: To attach MAC-series Lifting Columns or fastening Movetec MP Mounting Plates onto MAC-series Lifting Columns
No. of MSS1 Self-tapping Screws per lifting column: 4 screws at each end of a MAC-series Lifting Column.
Max. torque MSS1: 6.8 Nm

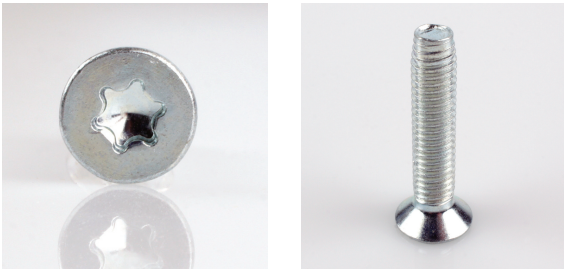
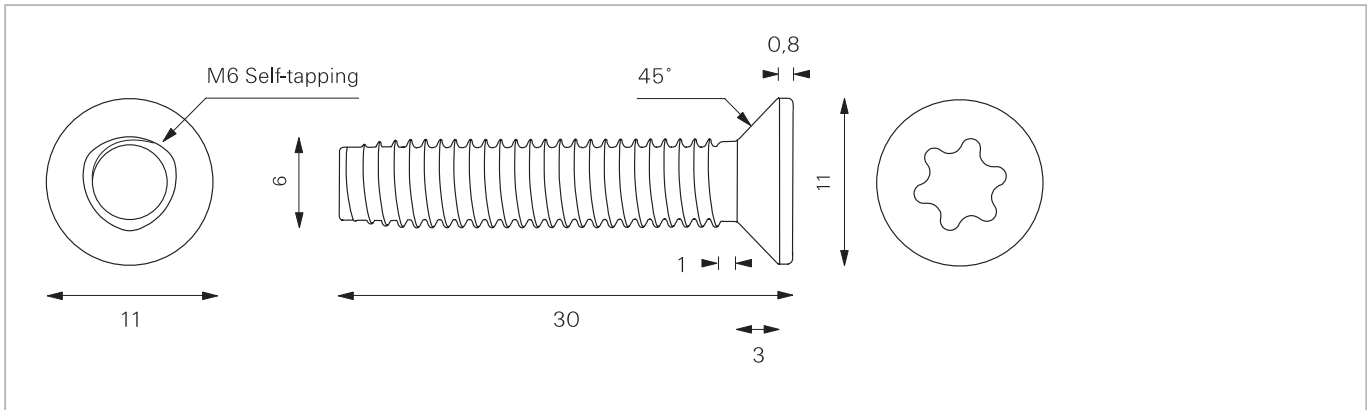
Option: Complete fitting kit with customer-specific contents can be supplied with MAC-series Lifting Columns.

MOVETEC



True Innovative Moving Technology

Self-tapping Screws for MAC Lifting Columns **MSS1**



Accessories, mounting screws, special parts and more:

Accessories available for the MAC-series Lifting Columns include sturdy mounting plates for top and base, mounting plates for 90° right-angled fitting, a range of T-Nuts, self-tapping screws/bolts and mounting screws/bolts. Fittings/parts and mounting plates are available to order in customer-specific sizes and designs. You are welcome to contact us at any time if you need advice, have specific requirements or need further information. Call us on +45 64 89 28 05. We also offer tailor-made and Plug and Play solutions.

CAD-drawings:

You can download 3D-drawings (STEP-Data) for the MSS1 for your CAD-Program, or as a PDF-file, on our homepage.

Manuals, installation instructions, approvals/certificates, Safety instructions etc.:

Installation manuals, assembly- and installation instructions, warnings, instructional videos and further information, can be found on our homepage: www.movetec.dk



Further information → www.movetec.dk



© Copyright Movetec Solutions ApS, LKD/MSS1/dat052-UK/3/100/0420



Tel. +45 64 89 28 05 · www.movetec.dk



True Innovative Moving Technology