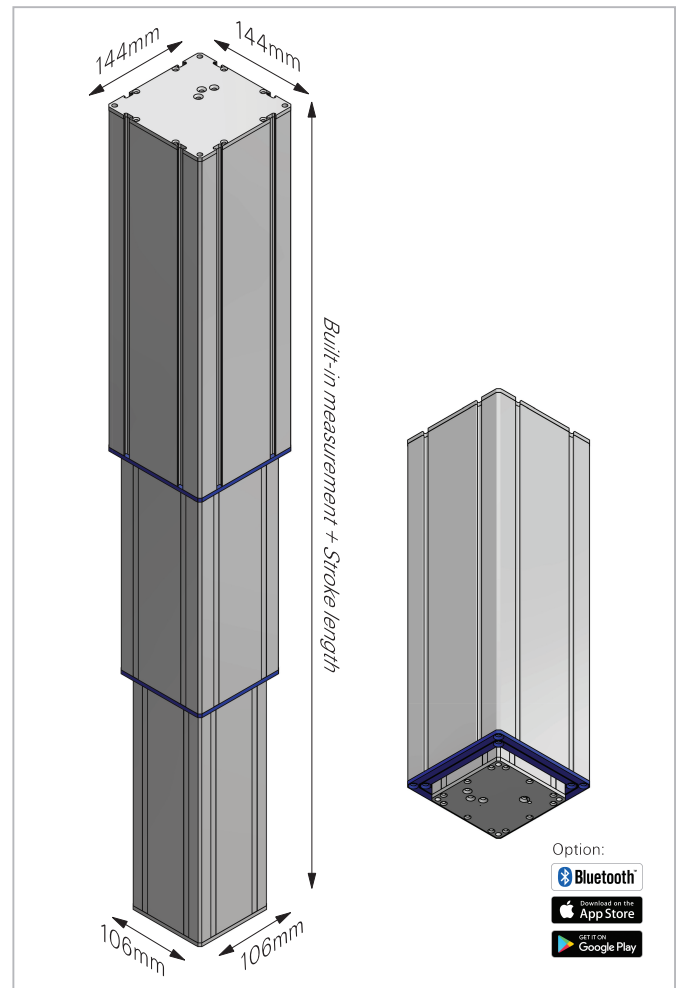


3-part Aluminium Lifting Column

MAC12U

Up to 3500N



3-part Aluminium Lifting Column MAC12U

Low built-in measurement, long stroke. For industrial/medical use.

MAC12U is a completely new developed lifting column, designed to meet the requirements of aesthetics and quality in industrial workplaces. Usable in many industrial/medical applications. In the development, high stability and a reasonable price level were emphasized. MAC12U is a Low-Noise lifting column. The lifting column is designed for loads of max. 3500N and can be moved up to 47mm/s without load. The bending moment is 1000Nm.

Plug & Play: You can also get MAC12U as a complete Plug & Play solution, including one or more MAC12U lifting columns, a Movetec control box 230V AC, all cables and a control panel.

Option: By Selecting a control box with Bluetooth®, MAC12U are easily controlled by iPhone® or Android®-Smartphone.

Material specifications:

Outer profile: Anodized Aluminium
 Middle profile: Anodized Aluminium
 Inner profile: Anodized Aluminium
 Friction sliders: POM Derivate
 Top- and Bottom plate: Steel
 Lifting system drive parts: Aluminium, Steel, ABS, POM, PP

Technical data:

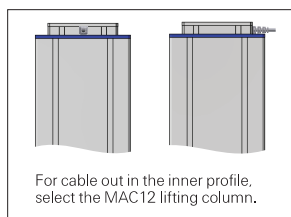
Max. load: 3500N (depends on the stroke length)
 Max. speed without load: 47mm/sek (800N) (depends on force)
 Stroke length: 200-800mm/special versions up to 1200mm (depends on force)
 Dyn./static bending moment: 800/1000 Nm (depends on the stroke length)
 Built-in measurement/length: 1/2 stroke length+144mm/244-744/819mm
 Operation temperature: +5° C - +45° C
 Power supply/Voltage: 12/24V DC
 Cable out: Cable out in the outer profile
 Intermittents: 10-25%
 Double Hall-sensors: Yes
 Top plate size: 144mm x 144mm
 Bottom plate size: 106mm x 106mm
 Outer profile size: 144mm x 144mm
 Inner profile size: 106mm x 106mm
 Mounting track: Width top 8,1mm /inside 8,1-12mm/depth 5mm
 Control box: More options, see www.movetec.dk
 Synchronized drive: Max.32x/16x lifting columns in synchronized drive
 Control panel: More options, see www.movetec.dk
Options: Bluetooth® controlling for iPhone®- and Android® Smartphones. Potentiometer. 12V DC. Top- and bottom mounting plates. Cable out in the inner profile (see MAC12). Control box with Lithium-Ion battery pack. 100% brake. Small remote control.



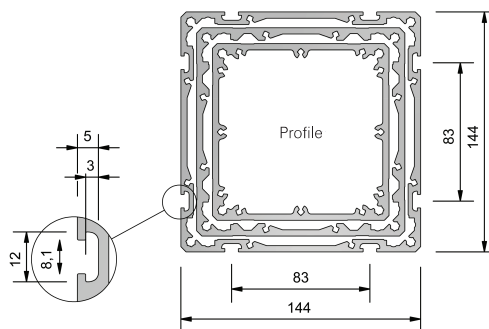
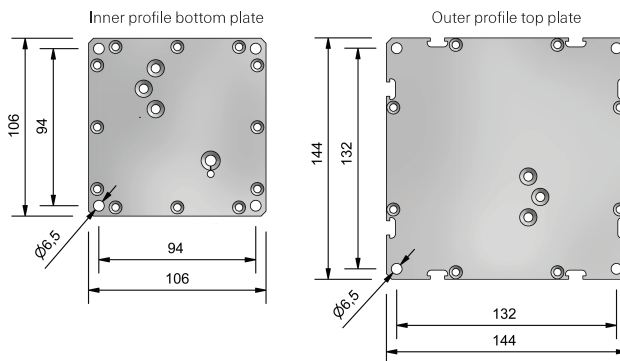
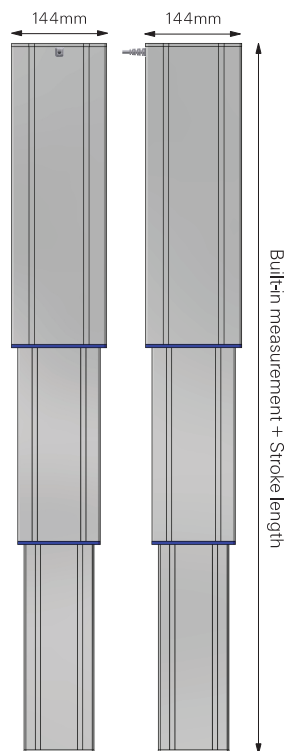
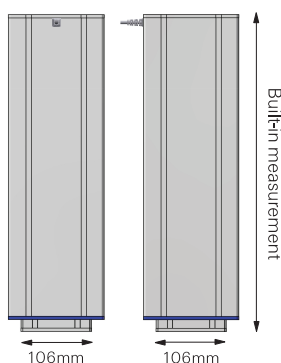
3-part Aluminium Lifting Column

MAC12U

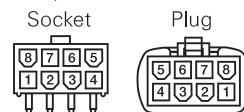
Up to 3500N



MAC12U Cable out:
Cable out in the outer profile.



All measures in mm



Control boxes and control panels:

MAC12U can be used with all Movetec control boxes and Movetec control panels. Some control boxes can also be programmed for customer-specific functions - please contact us with your wishes, we are looking forward to your call: +45 64 89 28 05. Movetec also offers tailor-made Plug & Play lifting column solutions.

CAD-drawings:

You can download 3D-drawings (STEP-Data) for MAC12U for your CAD-Program or as a PDF-file on our homepage.

Lifting columns data:

| Gear/drive-type no. | Load, Push N | Load, Pull N | Typ. power consumption by load A | Speed, without load mm/s | Stroke length in mm | Built-in measurement (by stroke length 200-1200mm) in mm | Max. static bending moment Nm |
|---------------------|--------------|--------------|----------------------------------|--------------------------|---------------------|--|-------------------------------|
| G1 | 1750 | 1750 | 4,7 | 24 | 200-1200 | 244 - 744/819 | 800/1000 |
| G2 | 3500 | 3500 | 9,4 | 34 | 200-1200 | 244 - 744/819 | 800/1000 |
| J1 | 1000 | 1000 | 3,2 | 47 | 200-1200 | 244 - 744/819 | 800/1000 |
| J2 | 2000 | 2000 | 6,4 | 24 | 200-1200 | 244 - 744/819 | 800/1000 |
| K1 | 800 | 800 | 3,5 | 34 | 200-1200 | 244 - 744/819 | 800/1000 |
| K2 | 1500 | 1500 | 7,0 | 47 | 200-1200 | 244 - 744/819 | 800/1000 |

Molex plugs/connections:

| Product | 1 | 2 | 3 | 4 | 5 | 6 | 7 | 8 |
|-----------|--------|-----|----|--------|--------|--------|--------|--------|
| Color | White | Red | | Green | Blue | Orange | Black | Yellow |
| Dual Hall | Hall 1 | +5V | NC | Motor+ | Hall 2 | NC | Ground | Motor- |

Manuals, installation instructions, approvals/certificates, Safety instructions etc.:

Installation manuals, assembly- and installation instructions, warnings, instructional videos and further information, can be found on our homepage: www.movetec.dk



Bluetooth® is a registered trademark and are the property of the owner Bluetooth SIG, Inc. Android®/ Google Play® is registered trademarks and are the property of the owner Google Inc. Apple®/ App Store® is registered trademarks and are the property of the owner Apple Inc. Other trademarks and trade names are the property of their respective owners.

Further information → www.movetec.dk



© Copyright Movetec Solutions ApS. LKD/MAC12U/dat179-UK/3/100/1121

MOVETEC

Tel. +45 64 89 28 05 · www.movetec.dk



True Innovative Moving Technology