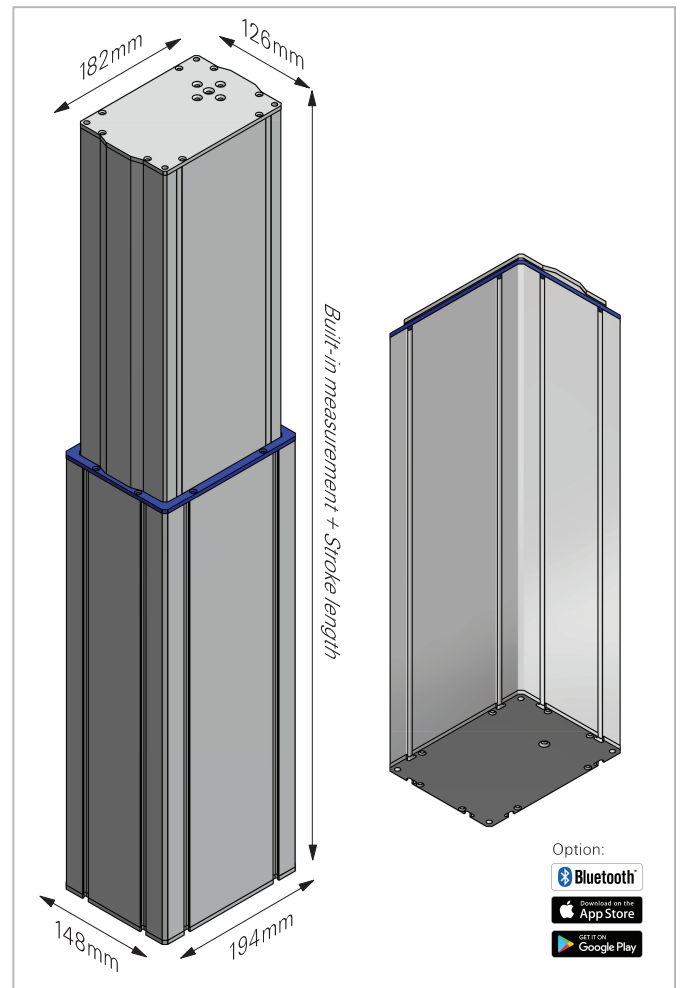


# Heavy-duty Aluminium Lifting Column

# MAC14

Up to 10000N



## Heavy-duty Aluminium Lifting Column

Very strong and stable lifting column for industrial use.

MAC14 - developed to lift/move very heavy loads (up to 10000 N) at slower speed and lighter tasks at higher speed. Designed to meet the requirements of aesthetics and quality in industrial workplaces. In the development, high stability and a reasonable price level were emphasized. Speed up to 39 mm/s without load. The bending moment is 1000 Nm. MAC14 is a Low-Noise lifting column and usable in many industrial applications.

**Plug & Play:** You can also get MAC14 as a complete Plug & Play solution, including one or more MAC14 lifting columns, a Movetec control box 230V AC, all cables and a control panel.

**Option:** By Selecting a control box with Bluetooth®, MAC14 are easily controlled by iPhone® or Android®-Smartphone.

### Material specifications:

Outer profile: Anodized Aluminium  
 Inner profile: Anodized Aluminium  
 Friction sliders: POM Derivate  
 Top plate: Steel  
 Bottom plate: Steel  
 Lifting system drive parts: Aluminium, Steel, ABS, POM, PP

### Technical data:

Max. load: 10000 N (depends on the stroke length)  
 Max. speed without load: 39 mm/sek (1000 N) (depends on force)  
 Stroke length: 100-600\* mm/special versions up to 1000 mm (depends on force)  
 Dyn./static bending moment: 800/1000 Nm (depends on the stroke length)  
 Built-in measurement/length: 222-779 mm (by 10000 N: 284-584 mm)  
 Operation temperature: +5° C - +45° C  
 Power supply/Voltage: 12/24V DC  
 Cable out: Cable out in the inner profile  
 Intermittents: 10%  
 Double Hall-sensors: Yes  
 Top plate size: 182 mm x 126 mm  
 Bottom plate size: 194 mm x 148 mm  
 Outer profile size: 194 mm x 148 mm  
 Inner profile size: 182 mm x 126 mm  
 Mounting track: Width top 8,1 mm / inside 8,1-12 mm / depth 5 mm  
 Control box: More options, see [www.movetec.dk](http://www.movetec.dk)  
 Synchronized drive: Max. 32x/16x (12x) lifting columns in synchronized drive  
 Control panel: More options, see [www.movetec.dk](http://www.movetec.dk)  
**Options:** Bluetooth® controlling for iPhone®- and Android® Smartphones. Potentiometer. 12V DC. Top- and bottom mounting plates. Cable out in the outer profile (see MAC14U). Control box with Lithium-Ion battery pack. 100% brake. Small remote control.

\* Stroke length 100-400 mm by 10000 N

# MOVETEC

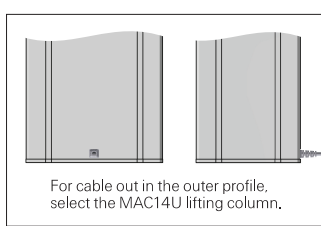


True Innovative Moving Technology

# Heavy-duty Aluminium Lifting Column

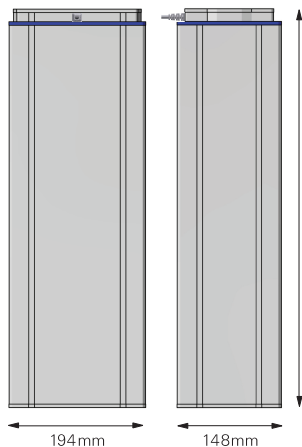
# MAC14

Bis zu 10000N

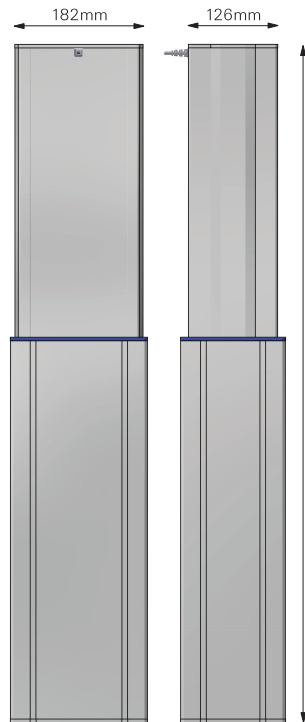


For cable out in the outer profile, select the MAC14U lifting column.

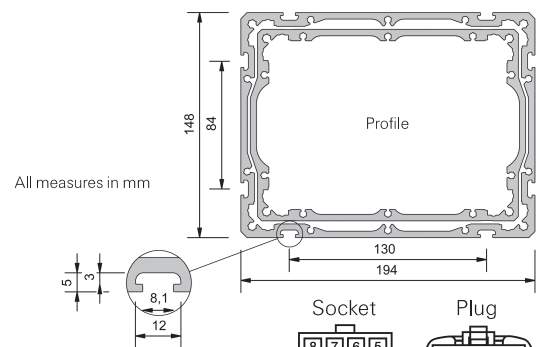
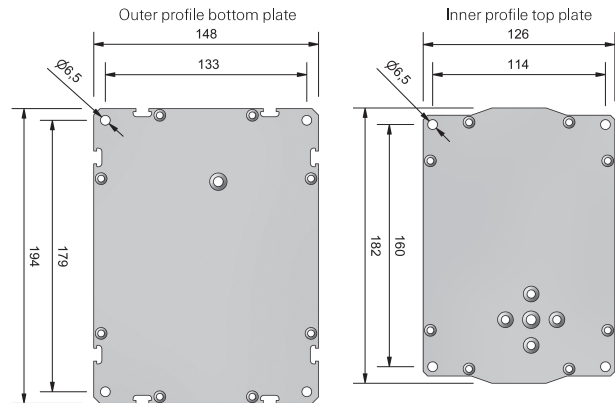
MAC14 Cable out:  
Cable out in the inner profile.



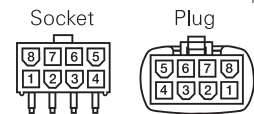
Built-in measurement



Built-in measurement + Stroke length



All measures in mm



## Control boxes and control panels:

MAC14 can be used with all Movetec control boxes and Movetec control panels. Some control boxes can also be programmed for customer-specific functions - please contact us with your wishes, we are looking forward to your call: +45 64 89 28 05. Movetec also offers Tailor-made Plug & Play lifting column solutions.

## CAD-drawings:

You can download 3D-drawings (STEP-Data) for MAC14 for your CAD-Program or as a PDF-file on our homepage.

## Lifting columns data:

Gear/drive-type no.	Load, Push N	Load, Pull N	Typ. power consumption by load A	Speed, without load mm/s	Stroke length in mm	Built-in measurement (by stroke length 100-600/400*mm) in mm	Max. static bending moment Nm
P	1000	1000	3,0	39,0	100-600	222-779	1000
O	2000	2000	4,1	27,1	100-600	222-779	1000
G	2000	2000	3,3	21,4	100-600	222-779	1000
Q	3500	3500	4,7	15,1	100-600	222-779	1000
L	6000	4000	4,3	7,6	100-600	222-779	1000
B	10000	4000	5,3	5,7	100-400	*284-584	1000

## Molex plugs/connections:

Product	1	2	3	4	5	6	7	8
Color	White	Red		Green	Blue	Orange	Black	Yellow
Dual Hall	Hall 1	+5V	NC	Motor+	Hall 2	NC	Ground	Motor-

## Manuals, installation instructions, approvals/certificates, Safety instructions etc.:

Installation manuals, assembly- and installation instructions, warnings, instructional videos and further information, can be found on our homepage: [www.movetec.dk](http://www.movetec.dk)



Further information → [www.movetec.dk](http://www.movetec.dk)



Bluetooth® is a registered trademark and are the property of the owner Bluetooth SIG, Inc. Android®/ Google Play® is registered trademarks and are the property of the owner Google Inc. Apple®/ App Store® is registered trademarks and are the property of the owner Apple Inc. Other trademarks and trade names are the property of their respective owners.

© Copyright Movetec Solutions ApS. LKD/MAC14/dat182-UK/3/100/1121

# MOVETEC

Tel. +45 64 89 28 05 · [www.movetec.dk](http://www.movetec.dk)



True Innovative Moving Technology