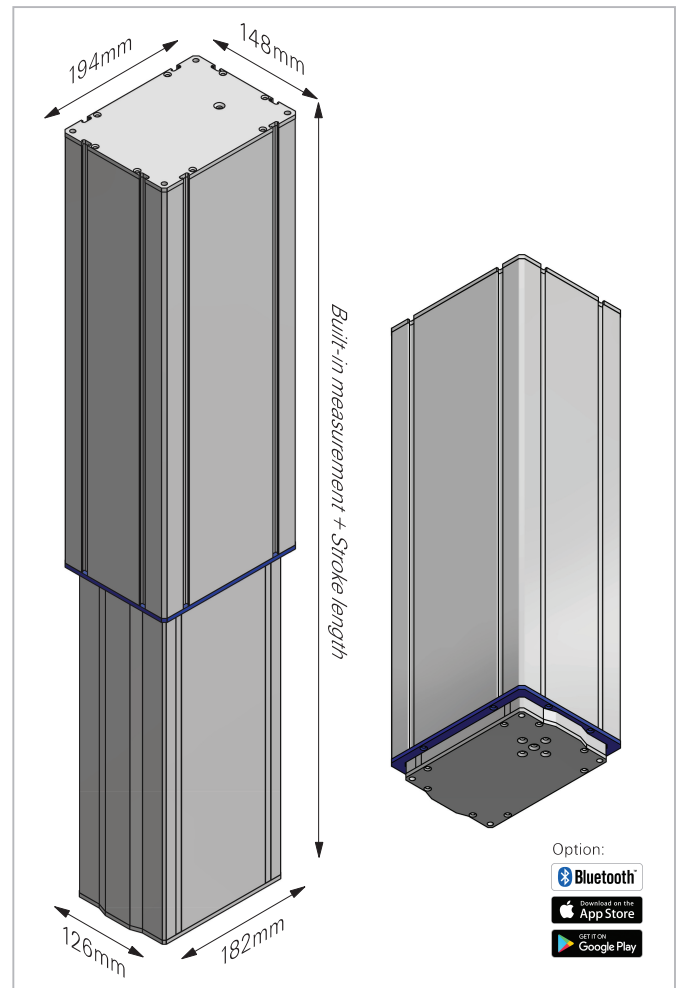


Heavy-duty Aluminium Lifting Column MAC14U

Up to 10000N



Heavy-duty Aluminium Lifting Column

Very strong and stable lifting column for industrial use.

MAC14U - developed to lift/move very heavy loads (up to 10000N) at slower speed and lighter tasks at higher speed. Designed to meet the requirements of aesthetics and quality in industrial workplaces. In the development, high stability and a reasonable price level were emphasized. Speed up to 39mm/s without load. The bending moment is 1000Nm. MAC14U is a Low-Noise lifting column and usable in many industrial applications.

Plug & Play: You can also get MAC14U as a complete Plug & Play solution, including one or more MAC14U lifting columns, a Movetec control box 230V AC, all cables and a control panel.

Option: By Selecting a control box with Bluetooth®, MAC14U are easily controlled by iPhone® or Android®-Smartphone.

Material specifications:

Outer profile: Anodized Aluminium
 Inner profile: Anodized Aluminium
 Friction sliders: POM Derivate
 Top plate: Steel
 Bottom plate: Steel
 Lifting system drive parts: Aluminium, Steel, ABS, POM, PP

Technical data:

Max. load: 10000N (depends on the stroke length)
 Max. speed without load: 39mm/sek (1000N) (depends on force)
 Stroke length: 100-600*mm/special versions up to 1000mm (depends on force)
 Dyn./static bending moment: 800/1000 Nm (depends on the stroke length)
 Built-in measurement/length: 222-779mm (by 10000N: 284-584mm)
 Operation temperature: +5° C - +45° C
 Power supply/Voltage: 12/24V DC
 Cable out: Cable out in the outer profile
 Intermittens: 10%
 Double Hall-sensors: Yes
 Top plate size: 194mm x 148mm
 Bottom plate size: 182mm x 126mm
 Outer profile size: 194mm x 148mm
 Inner profile size: 182mm x 126mm
 Mounting track: Width top 8,1mm/inside 8,1-12mm/depth 5mm
 Control box: More options, see www.movetec.dk
 Synchronized drive: Max.32x/16x(12x) lifting columns in synchronized drive
 Control panel: More options, see www.movetec.dk
Options: Bluetooth® controlling for iPhone®- and Android® Smartphones. Potentiometer. 12V DC. Top- and bottom mounting plates. Cable out in the inner profile (see MAC14). Control box with Lithium-Ion battery pack. 100% brake. Small remote control.

*Stroke length 100-400mm by 10000N

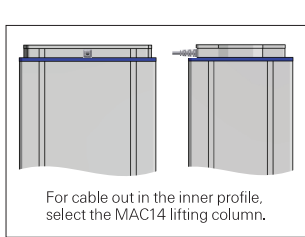
MOVETEC



True Innovative Moving Technology

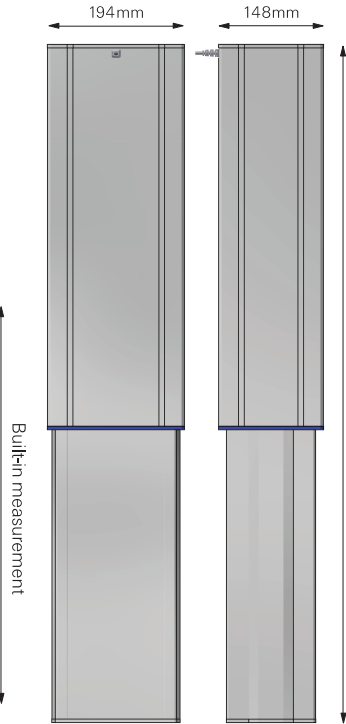
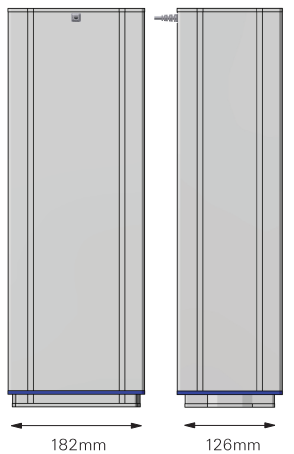
Heavy-duty Aluminium Lifting Column MAC14U

Up to 10000N

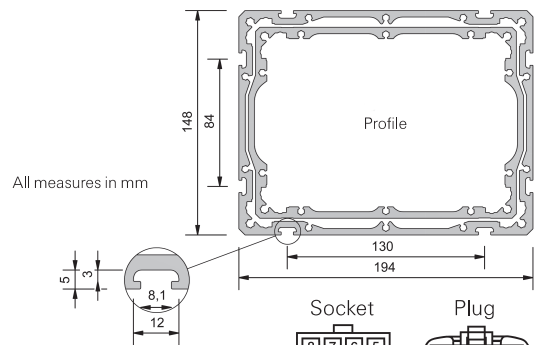
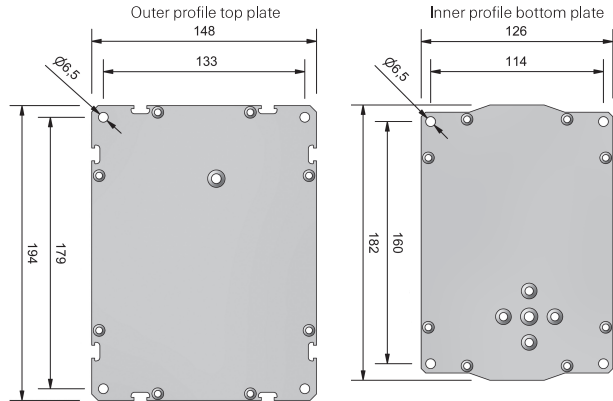


For cable out in the inner profile, select the MAC14 lifting column.

MAC14U Cable out: Cable out in the outer profile.



Built-in measurement + Stroke length



All measures in mm

Control boxes and control panels:

MAC14U can be used with all Movetec control boxes and Movetec control panels. Some control boxes can also be programmed for customer-specific functions - please contact us with your wishes, we are looking forward to your call: +45 64 89 28 05. Movetec also offers Tailor-made Plug & Play lifting column solutions.

CAD-drawings:

You can download 3D-drawings (STEP-Data) for MAC14U for your CAD-Program or as a PDF-file on our homepage.

Lifting columns data:

Gear/drive-type no.	Load, Push N	Load, Pull N	Typ. power consumption by load A	Speed, without load mm/s	Stroke length in mm	Built-in measurement (by stroke length 100-600/400*mm) in mm	Max. static bending moment Nm
P	1000	1000	3,0	39,0	100-600	222-779	1000
O	2000	2000	4,1	27,1	100-600	222-779	1000
G	2000	2000	3,3	21,4	100-600	222-779	1000
Q	3500	3500	4,7	15,1	100-600	222-779	1000
L	6000	4000	4,3	7,6	100-600	222-779	1000
B	10000	4000	5,3	5,7	100-400	*284-584	1000

Molex plugs/connections:

Product	1	2	3	4	5	6	7	8
Color	White	Red		Green	Blue	Orange	Black	Yellow
Dual Hall	Hall 1	+5V	NC	Motor+	Hall 2	NC	Ground	Motor-

Manuals, installation instructions, approvals/certificates, Safety instructions etc.:

Installation manuals, assembly- and installation instructions, warnings, instructional videos and further information, can be found on our homepage: www.movetec.dk



Bluetooth® is a registered trademark and are the property of the owner Bluetooth SIG, Inc. Android®/ Google Play® is registered trademarks and are the property of the owner Google Inc. Apple®/ App Store® is registered trademarks and are the property of the owner Apple Inc. Other trademarks and trade names are the property of their respective owners.

Further information → www.movetec.dk



© Copyright Movetec Solutions ApS, LKD/MAC14U/dat185-UK/3/100/1121

MOVETEC

Tel. +45 64 89 28 05 · www.movetec.dk



True Innovative Moving Technology