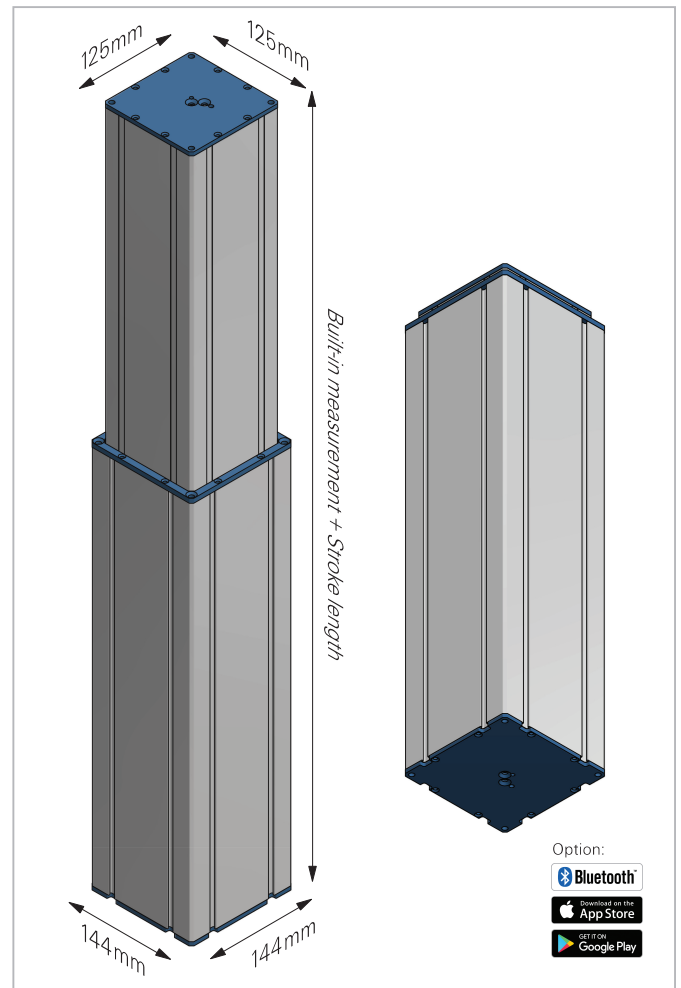
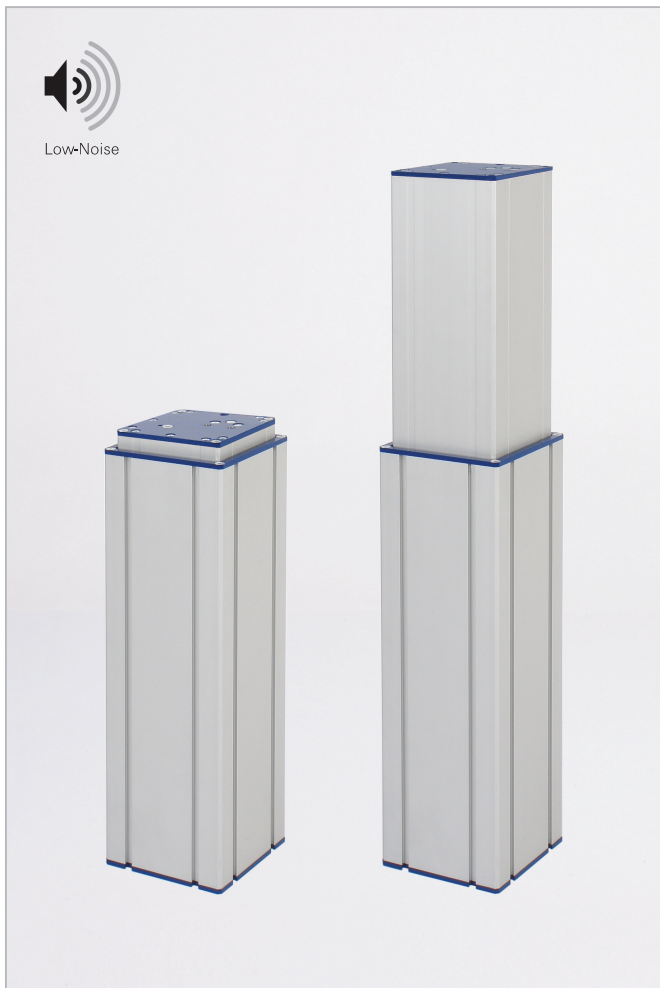


Aluminium Lifting Column

MAC15

Up to 6000N



Aluminium Lifting Column MAC15

Quadratic. For industrial workplaces/medical industry.

MAC15 is a completely new developed lifting column, designed to meet the requirements of aesthetics and quality in industrial workplaces. In the development, high stability and a reasonable price level were emphasized. The MAC15 lifting column is designed for loads of max. 6000N and can be moved up to 23,5mm/s without load. The bending moment is 1000Nm.

Plug & Play: You can also get MAC15 as a complete Plug & Play solution, including one or more MAC15 lifting columns, a Movetec control box 230 VAC, all cables and a control panel. By selecting a control box with Bluetooth®, MAC15 are easily controlled by iPhone® or Android®-Smartphone.

Material specifications:

Outer profile: Anodized Aluminium
 Inner profile: Anodized Aluminium
 Friction sliders: POM Derivate
 Top plate: Steel
 Bottom plate: Steel
 Lifting drive parts: Aluminium, Steel, ABS, POM, PP

Technical data:

Max. load: 6000N (depends on the stroke length)
 Max. speed without load: 23,5 mm/sek (1500N) (depends on force)
 Stroke length: 100-600mm/special versions up to 1000mm (depends on force)
 Dyn./static bending moment: 800/1000 Nm (depends on the stroke length)
 Installation length/Built-in measurement: 222-779 mm
 Operation temperature: +5° C - +45° C
 Power supply/Voltage: 12/24V DC
 Cable out: Cable out in the inner profile
 Intermittents: 10%
 Double Hall-sensors: Yes
 Top plate size: 125mm x 125mm
 Bottom plate size: 144mm x 144mm
 Outer profile size: 144mm x 144mm
 Inner profile size: 125mm x 125mm
 Mounting track: Width top 8,1 mm/inside 8,1-12mm/depth 5mm
 Control box: More options, see www.movetec.dk
 Synchronized drive: Max.32x/16x lifting columns in synchronized drive
 Control panel: More options, see www.movetec.dk
Options: Bluetooth® controlling for iPhone®- and Android® Smartphones. Potentiometer. 12V DC. Top- and bottom mounting plates. Cable out in the outer profile (see MAC15U). Control box with Lithium-Ion battery pack. 100% brake. Small remote control.

MOVETEC

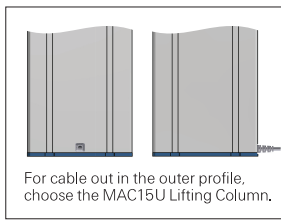


True Innovative Moving Technology

Aluminium Lifting Column

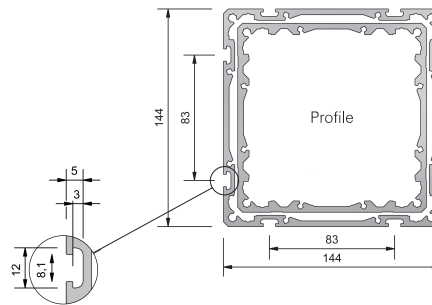
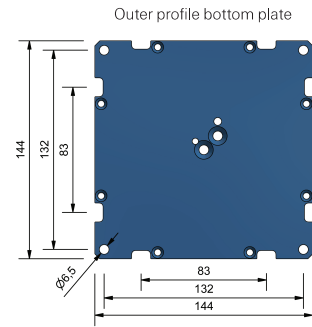
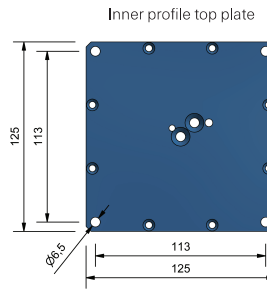
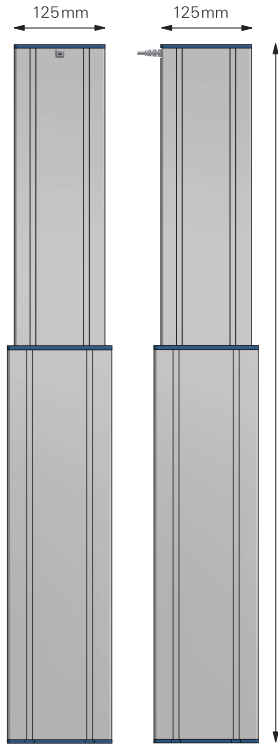
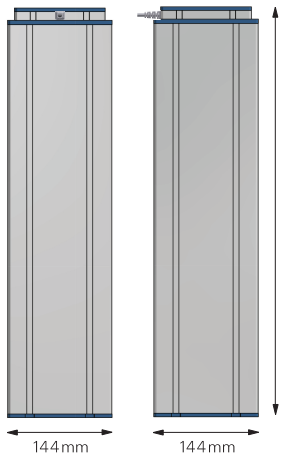
MAC15

Up to 6000N

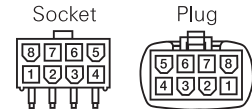


For cable out in the outer profile, choose the MAC15U Lifting Column.

MAC15 cable out: Cable out in the inner profile.



All dimensions in mm.



Control boxes and control panels:

MAC15 can be used with all Movetec control boxes and Movetec control panels. Some control boxes can also be programmed for customer-specific functions - please contact us with your wishes, we are looking forward to your call: +45 64 89 28 05.

CAD-drawings:

You can download 3D-drawings (STEP-Data) for MAC15 for your CAD-Program or as a PDF-file on our homepage.

Lifting columns data:

Gear/drive-type no.	Load, Push N	Load, Pull N	Typ. power consumption by load A	Speed, without load (32 VDC) mm/s	Stroke length in mm	Built-in measurement (by stroke length 100-600mm) in mm	Max. static bending moment Nm
G29	6000	4000	5,0	6,0	100-600	222-779	1000
F	4500	4000	6,0	8,0	100-600	222-779	1000
G	3500	3500	4,7	12,0	100-600	222-779	1000
J	2000	2000	3,2	17,0	100-600	222-779	1000
K	1500	1500	3,5	23,5	100-600	222-779	1000
C	1500	1500	2,8	11,9	100-600	222-779	1000

Molex plugs/connections:

Product	1	2	3	4	5	6	7	8
Color	White	Red		Green	Blue	Orange	Black	Yellow
Dual Hall	Hall 1	+5V	NC	Motor+	Hall 2	NC	Ground	Motor-

Manuals, installation instructions, approvals/certificates, Safety instructions etc.:

Installation manuals, assembly- and installation instructions, warnings, instructional videos and further information, can be found on our homepage: www.movetec.dk



Further information → www.movetec.dk



Bluetooth® is a registered trademark and are the property of the owner Bluetooth SIG, Inc. Android®/ Google Play® is registered trademarks and are the property of the owner Google Inc. Apple®/ App Store® is registered trademarks and are the property of the owner Apple Inc. Other trademarks and trade names are the property of their respective owners.

© Copyright Movetec Solutions ApS. LKD/MAC15/dat252-UK/2/100/1121

MOVETEC

Tel. +45 64 89 28 05 · www.movetec.dk



True Innovative Moving Technology