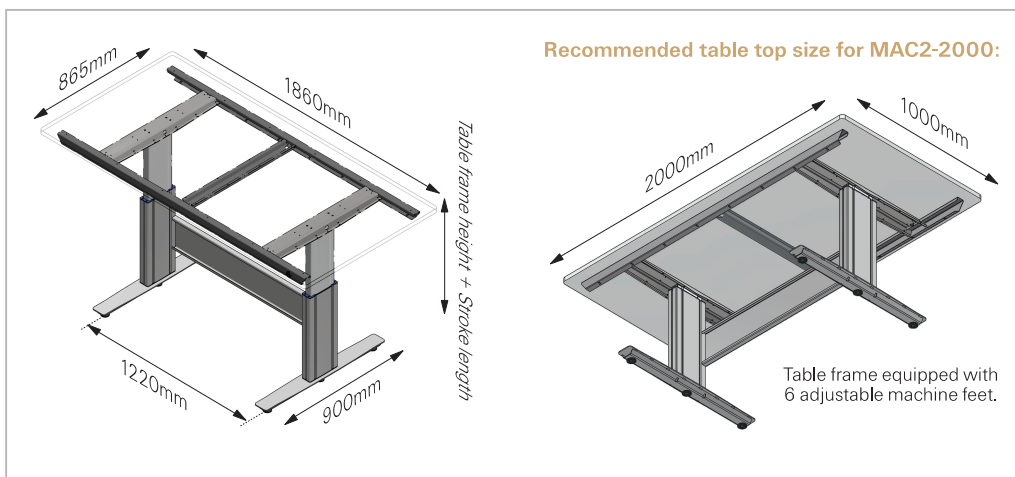


# Industrial Table Frames For 2m Plates

# MAC2-2000

Up to 7000N/700kg



## Industrial MAC2 Lifting Column Table Frame

Strong and stable. For industrial use/industrial work table.

MAC2-2000 is a brand new industrial table frame, developed to meet future requirements for aesthetically pleasing, high quality industrial workplaces and applications. Special low-noise design. Table frame bears up to 7000N/700kg load. Operating speed up to 23.5 mm/s. Bending moment up to 1000Nm. Synchronous operation of up to 12 table frames! **Plug & Play:** MAC2-2000 is available as a Plug & Play solution, complete with 230VAC control box, control panel and all required cabling. **Option:** If you choose a Bluetooth® control box the MAC2-2000 can be operated by iPhone®- or Android Smartphone. If you choose a remote controlled solution, MAC2-2000 is supplied with a smart Movetec MCP-BLE4 compact remote control unit.

### Material specifications:

Table frame: Painted steel  
 Lifting columns, external profiles: Anodised aluminium  
 Lifting columns, internal profiles: Anodised aluminium  
 Lifting columns, top and base plates: Galvanised/painted steel.  
 Sliders: POM derivate  
 Intern. lifting system: Aluminium, steel, ABS, POM, PVC, PP and more

### Technical data:

Max. load: 7000N/700kg (by an even distribution of load)  
 Bending moment, dynamic: 800Nm, Bending moment, static: 1000Nm  
 Max. operating speed without load: 23.5mm/s (1500 N)  
 Table frame, dimensions: Width 1860mm, Depth 865mm/900mm  
 For use with table top size: Length 2000mm, Width 1000mm  
 Stroke lengths: 300mm, 400mm or 500mm (special versions available)  
 Table frame heights: 516mm, 616mm or 716mm  
 Table frame, max. elevation: 816mm, 1016mm, 1216mm (Machine feet +/-)  
 Operating temperature range: +5 °C - +45 °C  
 Power supply/Voltage: 230VAC  
 Intermittens: 10-25%  
 Double Hall-sensors: Yes  
 Lifting columns, external profile dimensions: 210mm x 64.7mm  
 Lifting columns, internal profile dimensions: 174.5mm x 53.7mm  
 Control box: More options, see: [www.movetec.dk](http://www.movetec.dk)  
 Synchronized drive: Max. 12x MAC2-2000 in synchronized drive  
 Control panel: More options, see: [www.movetec.dk](http://www.movetec.dk)  
**Optionen:** Bluetooth® control via iPhone®- and Android® Smartphones. Synchronous operation of up to 12 table frames. Safety zone. Anti-Collision System/ Collision detecting. Memory Position. Low-Speed Zone. Stroke length up to 1000mm possible. Potentiometer. Movetec Remote Control unit MCP-BLE4 (Range: Up to 100m).

# MOVETEC

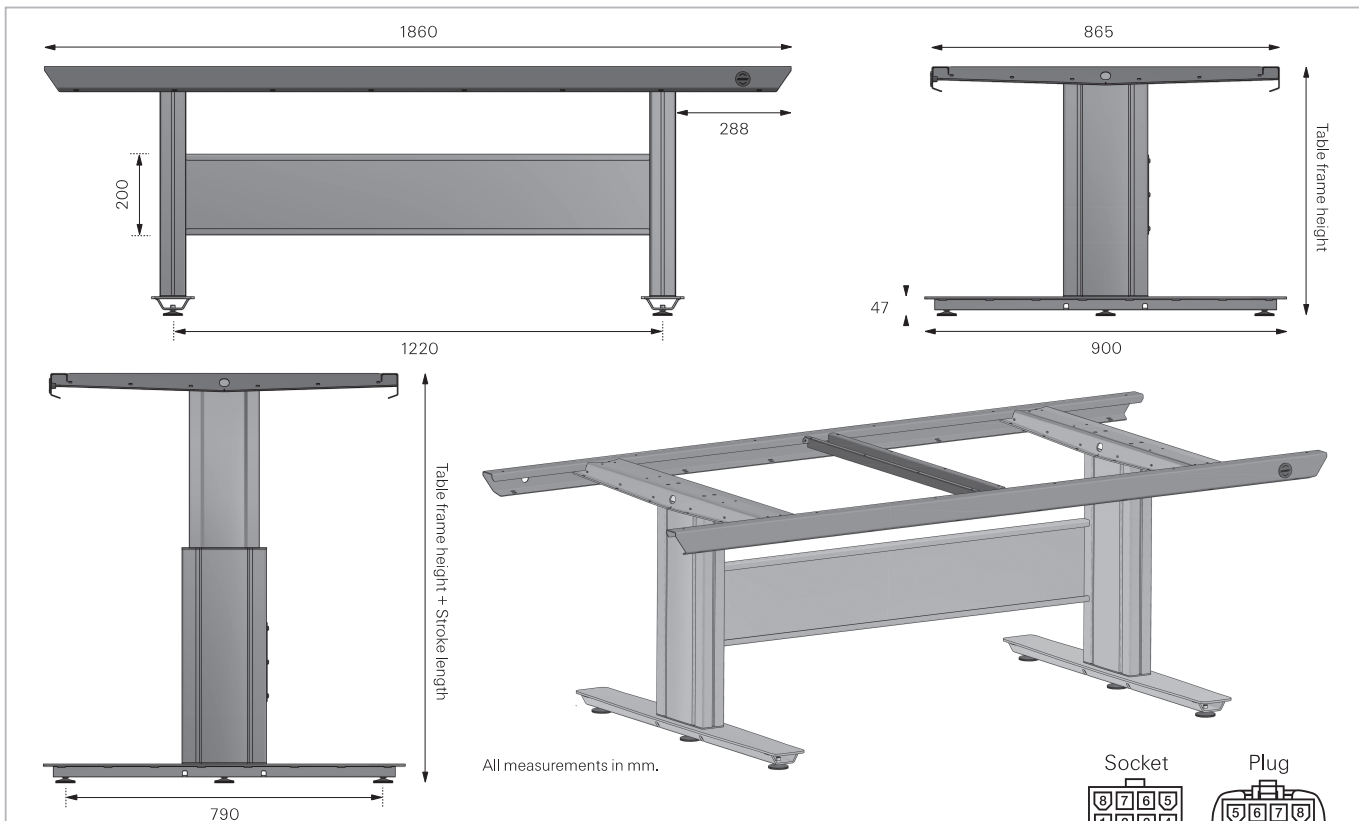


True Innovative Moving Technology

# Industrial Table Frames For 2m Plates

# MAC2-2000

Up to 7000N/700kg



### Control boxes and control panels:

MAC2-2000 can be used with many Movetec control boxes and Movetec control panels. Some control boxes can also be programmed for customer-specific functions - please contact us with your wishes, we are looking forward to your call: +45 64 89 28 05.

### CAD-drawings:

You can download 3D-drawings (STEP-Data) for MAC2-2000 for use with CAD software, or as PDF files from our website.

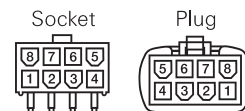
### Lifting columns data:

Gear/drive-type no.	Load, Push (per Lifting Column) N*	Load, Pull (per Lifting Column) N*	Typ. power consumption by load A	Speed, without load (32 VDC) mm/s	Stroke length in mm	Table frame heights (stroke length+216mm) in mm	Max. static bending moment Nm*
G	3500	3500	4,7	12,0	300-400-500	516-616-716	1000
J	2000	2000	3,2	17,0	300-400-500	516-616-716	1000
K	1500	1500	3,5	23,5	300-400-500	516-616-716	1000

\*Bending moment estimated, without responsibility: Depends on the table top dimensions, load and distribution of load. Load capacity 7000N/700 kg only valid with even distribution of load.

### Molex plugs/connections:

Product	1	2	3	4	5	6	7	8
Color	White	Red		Green	Blue	Orange	Black	Yellow
Dual Hall	Hall 1	+5V	NC	Motor+	Hall 2	NC	Ground	Motor-



### Manuals, installation instructions, approvals/certificates, safety instructions, etc.:

For installation manuals, assembly and installation instructions, warnings, instructional videos and further information, see our website: [www.movetec.dk](http://www.movetec.dk)



Bluetooth® is a registered trademark and are the property of the owner Bluetooth SIG, Inc. Android®/ Google Play® is registered trademarks and are the property of the owner Google Inc. Apple®/ App Store® is registered trademarks and are the property of the owner Apple Inc. Other trademarks and trade names are the property of their respective owners.

Further information → [www.movetec.dk](http://www.movetec.dk)



© Copyright Movetec Solutions ApS. LKD/MAC2-2000/dat 197-UK/3/100/1020

# MOVETEC

Tel. +45 64 89 28 05 · [www.movetec.dk](http://www.movetec.dk)



True Innovative Moving Technology