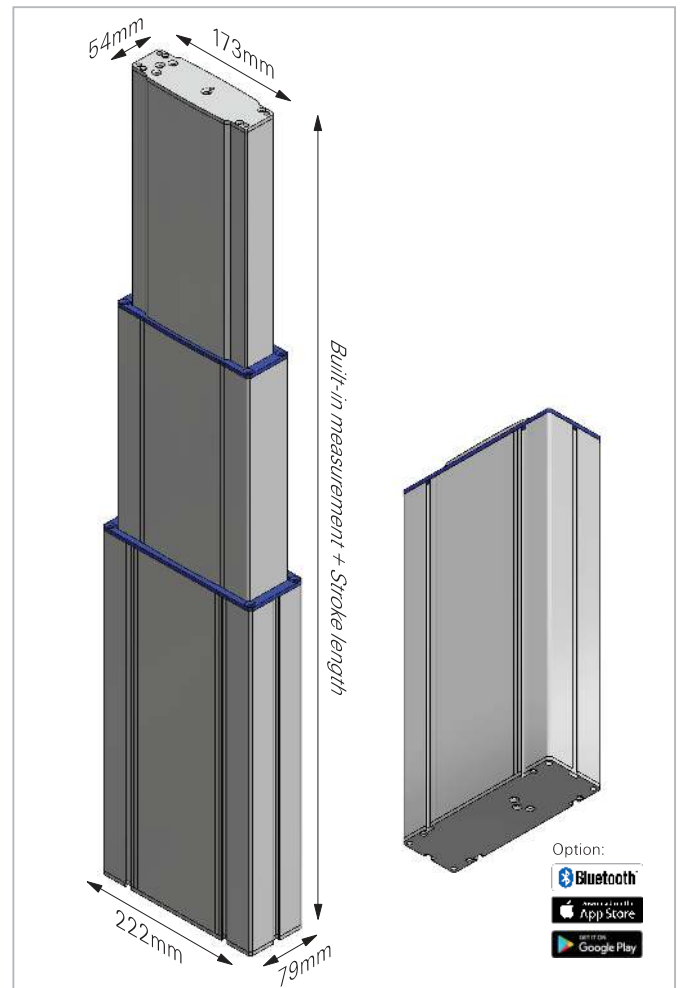


# 3-part Aluminium Lifting Column

## MAC4

Up to 1750N



### 3-part Aluminium Lifting Column MAC4

Low built-in measurement, long stroke. For industrial/medical use.

MAC4 is a completely new developed lifting column, designed to meet the requirements of aesthetics and quality in industrial workplaces. Usable in many industrial/medical applications. In the development, high stability and a reasonable price level were emphasized. MAC4 is a Low-Noise lifting column. The lifting column is designed for loads of max.1750N and can be moved up to 47mm/s without load. The bending moment is 1000Nm.

**Plug & Play:** You can also get MAC4 as a complete Plug & Play solution, including one or more MAC4 lifting columns, a Movetec control box 230V AC, all cables and a control panel.

**Option:** By Selecting a control box with Bluetooth®, MAC4 are easily controlled by iPhone® or Android®-Smartphone.

#### Material specifications:

Outer profile: Anodized Aluminium  
 Middle profile: Anodized Aluminium  
 Inner profile: Anodized Aluminium  
 Friction sliders: POM Derivate  
 Top- and Bottom plate: Steel  
 Lifting system drive parts: Aluminium, Steel, ABS, POM, PP

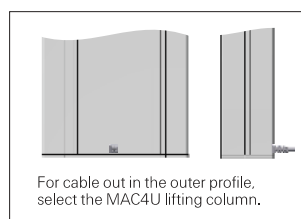
#### Technical data:

Max. load: 1750N (depends on the stroke length)  
 Max. speed without load: 47mm/sek (800N) (depends on force)  
 Stroke length: 200-800mm/special versions up to 1200mm (depends on force)  
 Dyn./static bending moment: 800/1000 Nm (depends on the stroke length)  
 Built-in measurement/length: 1/2 stroke length+144mm/244-744/819mm  
 Operation temperature: +5° C - +45° C  
 Power supply/Voltage: 12/24V DC  
 Cable out: Cable out in the inner profile  
 Intermittents: 10-25%  
 Double Hall-sensors: Yes  
 Top plate size: 173mm x 54mm  
 Bottom plate size: 222mm x 79mm  
 Outer profile size: 222mm x 79mm  
 Inner profile size: 173mm x 54mm  
 Mounting track: Width top 8,1mm / inside 8,1-12mm / depth 5mm  
 Control box: More options, see [www.movetec.dk](http://www.movetec.dk)  
 Synchronized drive: Max.32x/16x lifting columns in synchronized drive  
 Control panel: More options, see [www.movetec.dk](http://www.movetec.dk)  
**Options:** Bluetooth® controlling for iPhone®- and Android® Smartphones. Potentiometer. 12V DC. Top- and bottom mounting plates. Cable out in the outer profile (see MAC4U). Control box with Lithium-Ion battery pack. 100% brake. Small remote control.

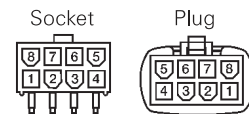
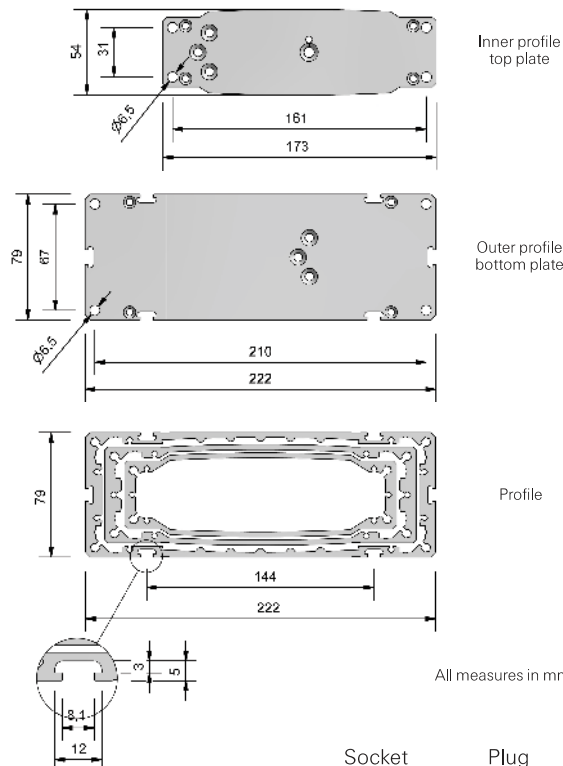
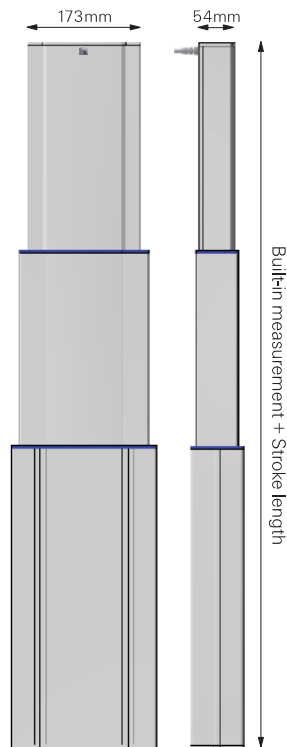
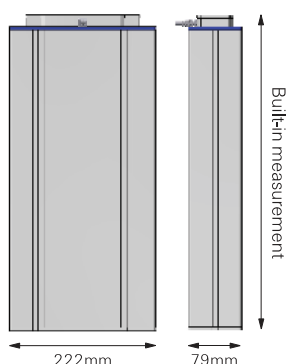
# 3-part Aluminium Lifting Column

## MAC4

Up to 1750N



MAC4 Cable out:  
Cable out in the inner profile.



### Control boxes and control panels:

MAC4 can be used with all Movetec control boxes and Movetec control panels. Some control boxes can also be programmed for customer-specific functions - please contact us with your wishes, we are looking forward to your call: +45 64 89 28 05. Movetec also offers Tailor-made Plug & Play lifting column solutions.

### CAD-drawings:

You can download 3D-drawings (STEP-Data) for MAC4 for your CAD-Program or as a PDF-file on our homepage.

### Lifting columns data:

| Gear/drive-type no. | Load, Push N | Load, Pull N | Typ. power consumption by load A | Speed, without load mm/s | Stroke length in mm | Built-in measurement (by stroke length 200-1200mm) in mm | Max. static bending moment Nm |
|---------------------|--------------|--------------|----------------------------------|--------------------------|---------------------|--|-------------------------------|
| G                   | 1750         | 1750         | 4,7                              | 24                       | 200-1200            | 244 - 744/819  | 800/1000                      |
| J                   | 1000         | 1000         | 3,2                              | 34                       | 200-1200            | 244 - 744/819  | 800/1000                      |
| K                   | 800          | 800          | 3,5                              | 47                       | 200-1200            | 244 - 744/819  | 800/1000                      |

### Molex plugs/connections:

| Product   | 1      | 2   | 3  | 4      | 5      | 6      | 7      | 8      |
|-----------|--------|-----|----|--------|--------|--------|--------|--------|
| Color     | White  | Red |    | Green  | Blue   | Orange | Black  | Yellow |
| Dual Hall | Hall 1 | +5V | NC | Motor+ | Hall 2 | NC     | Ground | Motor- |

### Manuals, installation instructions, approvals/certificates, Safety instructions etc.:

Installation manuals, assembly- and installation instructions, warnings, instructional videos and further information, can be found on our homepage: [www.movetec.dk](http://www.movetec.dk)



Bluetooth® is a registered trademark and are the property of the owner Bluetooth SIG, Inc. Android®/ Google Play® is registered trademarks and are the property of the owner Google Inc. Apple®/ App Store® is registered trademarks and are the property of the owner Apple Inc. Other trademarks and trade names are the property of their respective owners.

Further information → [www.movetec.dk](http://www.movetec.dk)



© Copyright Movetec Solutions ApS. LKD/MAC4/dat164-UK/3/100/1221

# MOVETEC

Tel. +45 64 89 28 05 · [www.movetec.dk](http://www.movetec.dk)

True Innovative Moving Technology