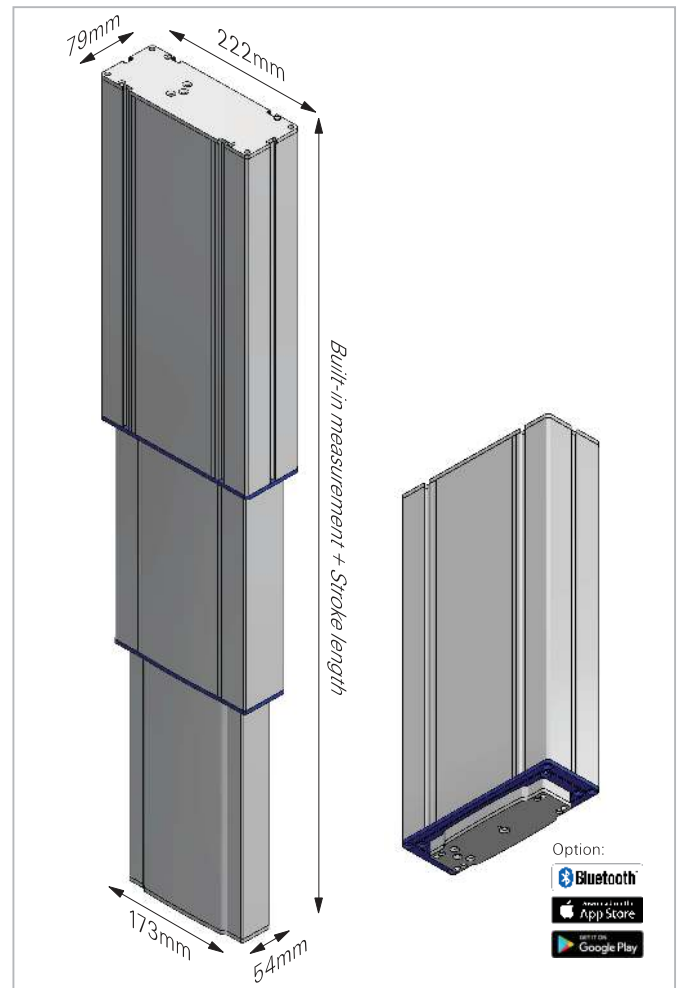


3-part Aluminium Lifting Column

MAC4U

Up to 1750N



3-part Aluminium Lifting Column MAC4U

Low built-in measurement, long stroke. For industrial/medical use.

MAC4U is a completely new developed lifting column, designed to meet the requirements of aesthetics and quality in industrial workplaces. Usable in many industrial/medical applications. In the development, high stability and a reasonable price level were emphasized. MAC4U is a Low-Noise lifting column. The lifting column is designed for loads of max.1750N and can be moved up to 47 mm/s without load. The bending moment is 1000Nm.

Plug & Play: You can also get MAC4U as a complete Plug & Play solution, including one or more MAC4U lifting columns, a Movetec control box 230V AC, all cables and a control panel.

Option: By Selecting a control box with Bluetooth®, MAC4U are easily controlled by iPhone® or Android®-Smartphone.

Material specifications:

Outer profile: Anodized Aluminium
 Middle profile: Anodized Aluminium
 Inner profile: Anodized Aluminium
 Friction sliders: POM Derivate
 Top- and Bottom plate: Steel
 Lifting system drive parts: Aluminium, Steel, ABS, POM, PP

Technical data:

Max. load: 1750N (depends on the stroke length)
 Max. speed without load: 47 mm/sek (800N) (depends on force)
 Stroke length: 200-800mm/special versions up to 1200mm (depends on force)
 Dyn./static bending moment: 800/1000 Nm (depends on the stroke length)
 Built-in measurement/length: 1/2 stroke length+144mm/244-744/819mm
 Operation temperature: +5° C - +45° C
 Power supply/Voltage: 12/24V DC
 Cable out: Cable out in the outer profile
 Intermittents: 10-25%
 Double Hall-sensors: Yes
 Top plate size: 222mm x 79mm
 Bottom plate size: 173mm x 54mm
 Outer profile size: 222mm x 79mm
 Inner profile size: 173mm x 79mm
 Mounting track: Width top 8,1 mm/inside 8,1-12mm/depth 5mm
 Control box: More options, see www.movetec.dk
 Synchronized drive: Max.32x/16x lifting columns in synchronized drive
 Control panel: More options, see www.movetec.dk
Options: Bluetooth® controlling for iPhone®- and Android® Smart-phones. Potentiometer. 12V DC. Top- and bottom mounting plates. Cable out in the inner profile (see MAC4). Control box with Lithium-Ion battery pack. 100% brake. Small remote control.

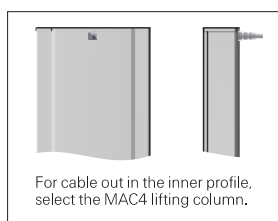


True Innovative Moving Technology

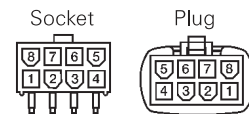
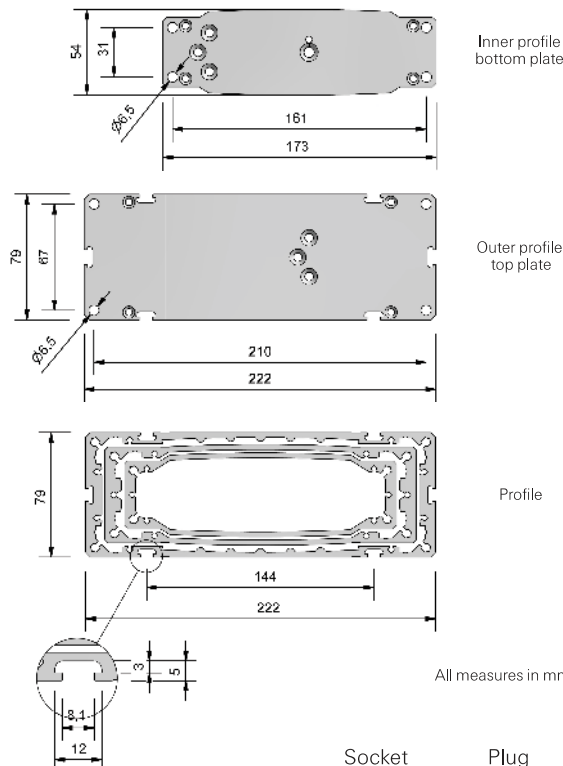
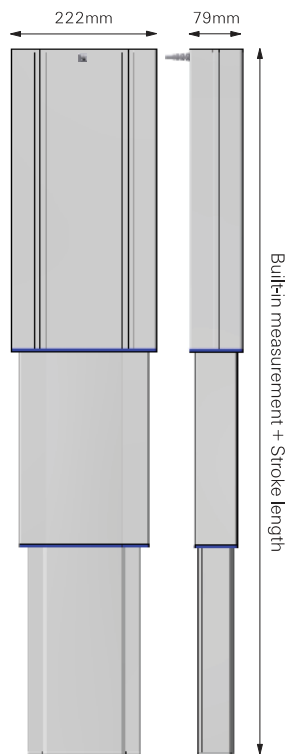
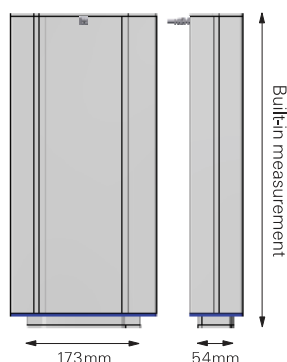
3-part Aluminium Lifting Column

MAC4U

Up to 1750N



MAC4U Cable out:
Cable out in the outer profile.



Control boxes and control panels:

MAC4U can be used with all Movetec control boxes and Movetec control panels. Some control boxes can also be programmed for customer-specific functions - please contact us with your wishes, we are looking forward to your call: +45 64 89 28 05. Movetec also offers tailor-made Plug & Play lifting column solutions.

CAD-drawings:

You can download 3D-drawings (STEP-Data) for MAC4U for your CAD-Program or as a PDF-file on our homepage.

Lifting columns data:

Gear/drive-type no.	Load, Push N	Load, Pull N	Typ. power consumption by load A	Speed, without load mm/s	Stroke length in mm	Built-in measurement (by stroke length 200-1200mm) in mm	Max. static bending moment Nm
G	1750	1750	4,7	24	200-1200	244 - 744/819	800/1000
J	1000	1000	3,2	34	200-1200	244 - 744/819	800/1000
K	800	800	3,5	47	200-1200	244 - 744/819	800/1000

Molex plugs/connections:

Product	1	2	3	4	5	6	7	8
Color	White	Red		Green	Blue	Orange	Black	Yellow
Dual Hall	Hall 1	+5V	NC	Motor+	Hall 2	NC	Ground	Motor-

Manuals, installation instructions, approvals/certificates, Safety instructions etc.:

Installation manuals, assembly- and installation instructions, warnings, instructional videos and further information, can be found on our homepage: www.movetec.dk



Bluetooth® is a registered trademark and are the property of the owner Bluetooth SIG, Inc. Android®/ Google Play® is registered trademarks and are the property of the owner Google Inc. Apple®/ App Store® is registered trademarks and are the property of the owner Apple Inc. Other trademarks and trade names are the property of their respective owners.

Further information → www.movetec.dk



© Copyright Movetec Solutions ApS. LKD/MAC4U/dat167-UK/3/100/1221

MOVETEC

Tel. +45 64 89 28 05 · www.movetec.dk

True Innovative Moving Technology