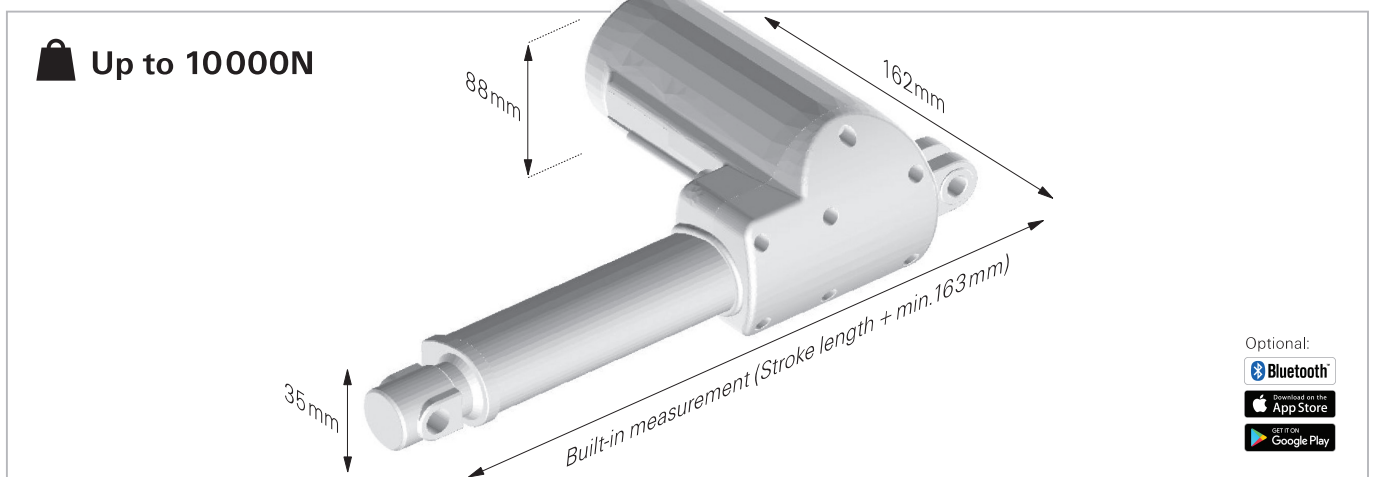


Linear Actuator, Low-Noise

MLA23



Linear Actuator MLA23

Low-Noise actuator for industrial/medical applications.

Movetec's low-noise MLA23 is designed for industrial and medical applications, and where a compact actuator is needed. MLA23 is available with IP54, IP66 or IP66W protection. The actuator is designed for loads of max. 10 000N (push). Speed up to 39 mm/s without load (1000N). MLA23 has high stability and a reasonable price level. Suitable for patient hoist applications. Plug & Play!

Plug & Play: MLA23 is also available as a complete Plug & Play solution, including one or more MLA23 actuators, a Movetec control box 230V AC, all cables and a control panel. By selecting a control box with Bluetooth®, MLA23 are easily controlled by iPhone®- or Android®-Smartphone.

Material specifications:

Outer profile/housing: Anodized aluminium, plastics
 Spindle/friction parts: Carbon steel/Stainless steel, POM derivate
 Front and rear attachments, casting/U clevis: Aluminium/steel
 Actuator drive parts: Aluminium, steel, ABS, POM, PP and others
 Casing, sockets, plugs, cable: PC, PVC and other plastics

Technical data:

Max. load: 10 000 N in push/4000N in pull
 Noise: Low-Noise
 Max. speed without load: 39mm/s (1000 N)
 Stroke length: 50-450/600mm (special vers. up to 1000mm possible)
 Installation length/Built-in measurement: Stroke length + min. 163mm
 Size: 162.2 mm x 88.1 mm x length
 Attachment front: Aluminium casting, punched hole, no slot or U-clevis
 Attachment rear: Aluminium casting, U-clevis
 Front- and rear attachment holes: Ø10.2/12.2mm, Ø10.2/12.2mm
 Operation temperature: +5°C - +45°C
 Power supply/Voltage: 12/24V DC
 IP Rating: Without protection, with IP54-, IP66- or IP66W-protection
 Intermittents: 25%
 Double Hall-sensors: Yes
 Control box: More options, see www.movetec.dk
 Synchronized drive: Max. 32x actuators in synchronized drive
 Control panel: More options, see www.movetec.dk
 Certificates: IEC60601-1, ES60601-1, IEC60601-1-2, EMC
Options: Bluetooth® controlling for iPhone®- and Android®-Smartphones. Potentiometer. IP54, IP66 or IP66W protection. 12V DC. Stroke length up to 1000mm. 100% Brake/Safety Nut. Man. release.

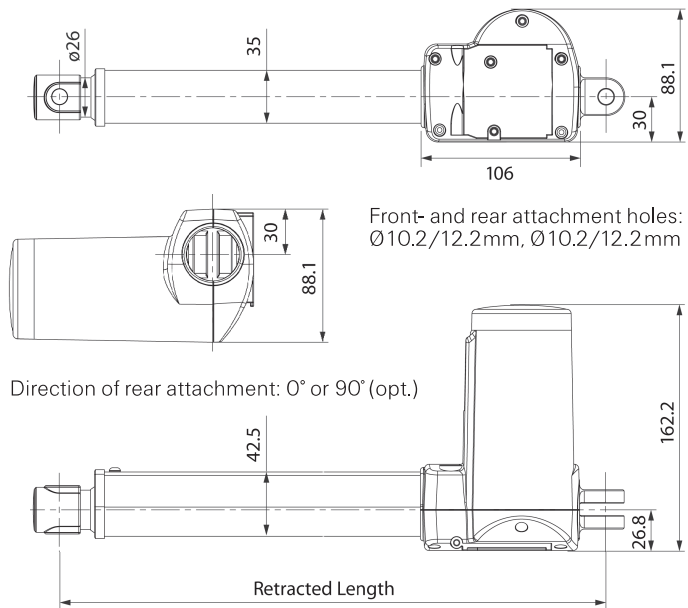
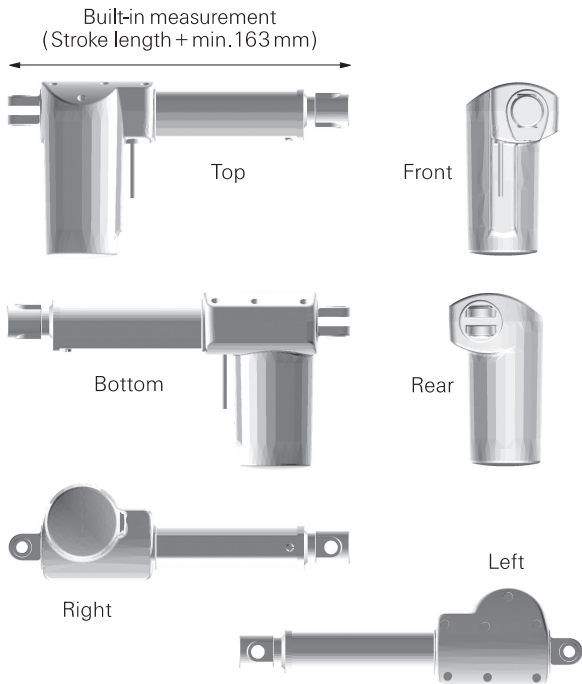
MOVETEC



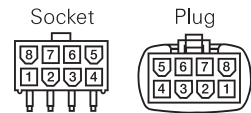
True Innovative Moving Technology

Linear Actuator, Low-Noise

MLA23



All dimensions in mm.



Control boxes and control panels:

MLA23 can be used with all Movetec control boxes and Movetec control panels. Some control boxes can also be programmed for customer-specific functions - please contact us with your wishes, we are looking forward to your call: +45 64 89 28 05.

CAD-drawings:

You can download 3D-drawings (STEP-Data) for MLA23 for your CAD-Program, or as a PDF-file on our homepage.

Molex plugs/connections:

Product	1	2	3	4	5	6	7	8
Color	White	Red		Green	Blue	Orange	Black	Yellow
Dual Hall	Hall 1	+5V	NC	Motor+	Hall 2	NC	Ground	Motor-

Manuals, installation instructions, approvals/certificates, Safety instructions etc.:

Installation manuals, assembly- and installation instructions, warnings, instructional videos and further information, can be found on our homepage: www.movetec.dk

Actuator data:

Gear/drive-type no.	Load, Push N	Load, Pull N	Typ. power consumption by load A	Speed, without load (32VDC) mm/s	Stroke length (standard) in mm	Built-in measurement in mm
P	1000	1000	3,0	39,0	50 - 600	Stroke length + min.163mm
O	2000	2000	4,0	26,1	50 - 600	Stroke length + min.163mm
W	2500	2500	4,6	23,0	50 - 600	Stroke length + min.163mm
Q	3500	3500	4,6	14,5	50 - 600	Stroke length + min.163mm
U	5000	4000	4,7	11,3	50 - 600	Stroke length + min.163mm
L	6000	4000	4,2	7,3	50 - 600	Stroke length + min.163mm
Y	8000	4000	5,3	7,7	50 - 450	Stroke length + min.163mm
B	10000	4000	5,3	5,7	50 - 450	Stroke length + min.163mm



Further information → www.movetec.dk

Bluetooth® is a registered trademark and are the property of the owner Bluetooth SIG, Inc. Android®/ Google Play® is registered trademarks and are the property of the owner Google Inc. Apple®/ App Store® is registered trademarks and are the property of the owner Apple Inc. Other trademarks and trade names are the property of their respective owners.



© Copyright Movetec Solutions ApS. LKD/MLA23/dat264-UK/3/100/0820



Tel. +45 64 89 28 05 · www.movetec.dk



True Innovative Moving Technology