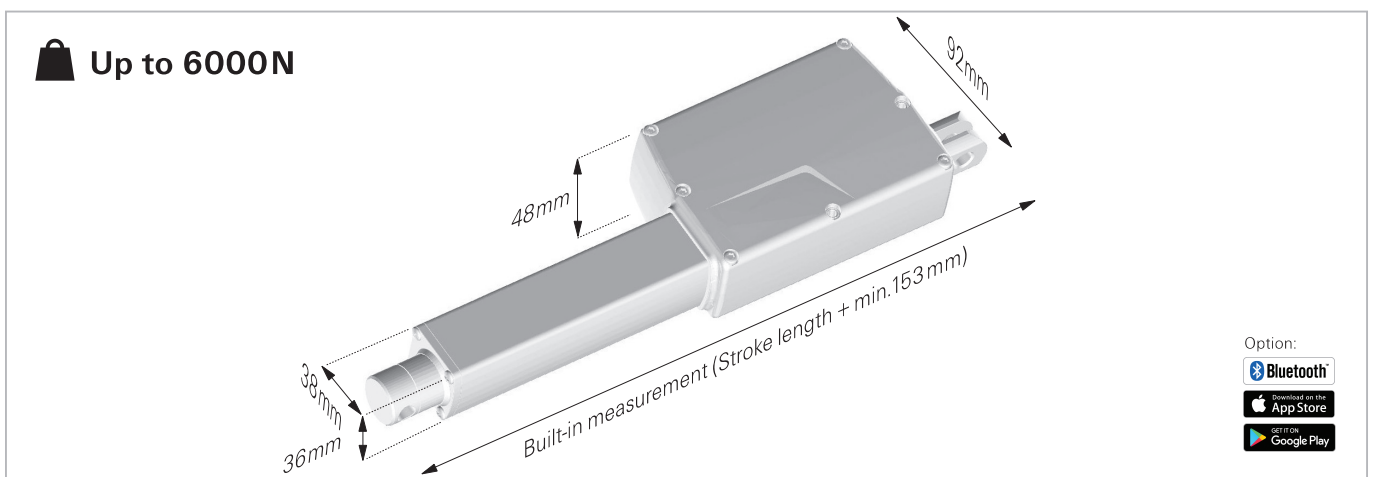
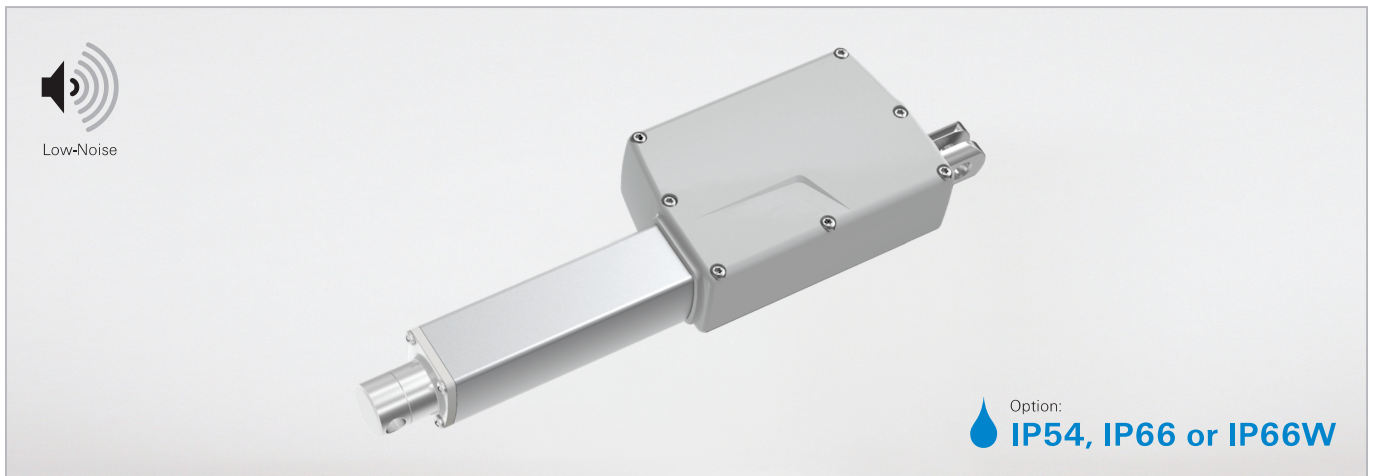


Low-Noise Linear Actuator

MLA29



Linear Actuator MLA29

Low-Noise actuator for industrial/medical applications.

Movetec's low-noise MLA29 is one of our new generation industrial and medical actuators - perfect where a compact actuator is needed. MLA29 is available with IP54, IP66 or IP66W protection. The MLA29 actuator series is designed for loads of max. 6000N (push). Speed up to 30mm/s without load (1500N). MLA29 - high stability to a reasonable price level. Suitable for patient hoist applications. Plug & Play!

Plug & Play: MLA29 is also available as a complete Plug & Play solution, including one or more MLA29 actuators, a Movetec control box 230V AC, all cables and a control panel. By selecting a control box with Bluetooth®, MLA29 are easily controlled by iPhone®- or Android®-Smartphone.

Material specifications:

Outer profile/housing: Anodized aluminium, plastics
 Spindle: Carbon steel/Stainless steel
 Spindle nut: POM Derivate
 Front and rear attachments, casting/U-clevis: Aluminium/steel
 Actuator drive parts: Aluminium, steel, ABS, POM, PP and others.

Technical data:

Max. load: 6000 N in push/4000N in pull
 Noise: Low-Noise
 Max. speed without load: 30,2mm/s (1500 N)
 Stroke length: 50-450/600mm (special vers. up to 1000mm possible)
 Installation length/Built-in measurement: Stroke length + min. 153mm
 Size: 92 mm x 48mm x length
 Attachment front: Aluminium CNC, without slot, hole
 Attachment rear: Aluminium casting, U-clevis, slot 6,2mm, depth 12,2mm
 Front- and rear attachment holes: Ø10.2/12.2mm, Ø10.2/12.2mm
 Operation temperature: +5°C - +45°C
 Power supply/Voltage: 12/24V DC
 IP Rating: Without protection, with IP54-, IP66- or IP66W-protection
 Intermittens: 25%
 Double Hall-sensors: Yes
 Control box: More options, see www.movetec.dk
 Synchronized drive: Max. 32x actuators in synchronized drive
 Control panel: More options, see www.movetec.dk

Options: Bluetooth® controlling for iPhone®- and Android®-Smartphones. Potentiometer, IP54, IP66- or IP66W protection. 12V DC. Stroke length up to 1000mm. 100% brake/Safety nut.

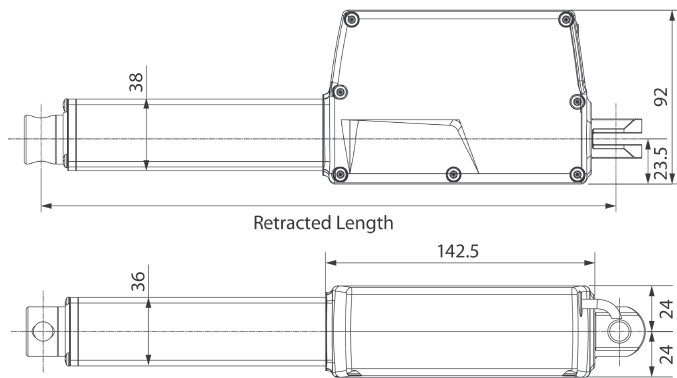
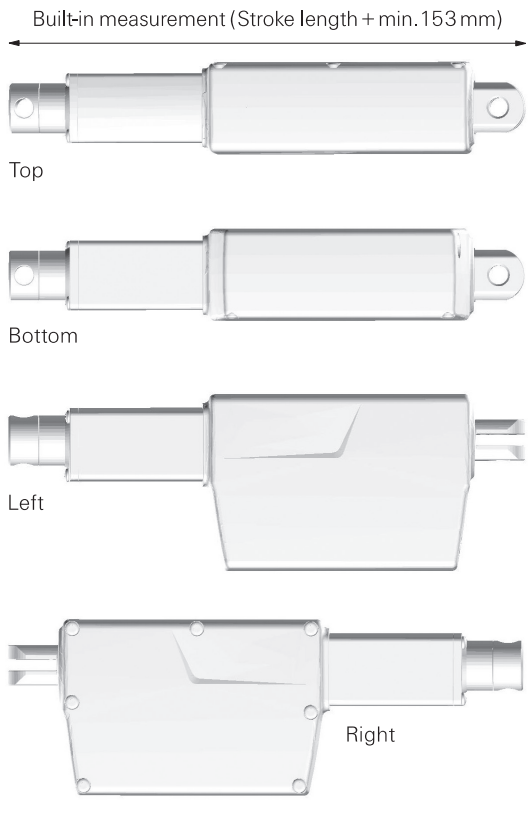
MOVETEC



True Innovative Moving Technology

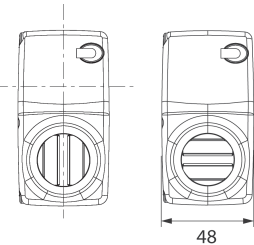
Low-Noise Linear Actuator

MLA29

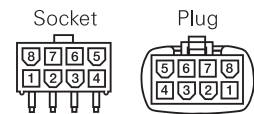


Front- and rear attachment holes:
Ø10.2/12.2mm, Ø10.2/12.2mm

Direction of rear attachment:
0° or 90° (opt.)



All dimensions in mm.



Control boxes and control panels:

MLA29 can be used with all Movetec control boxes and Movetec control panels. Some control boxes can also be programmed for customer-specific functions - please contact us with your wishes, we are looking forward to your call: +45 64 89 28 05.

CAD-drawings:

You can download 3D-drawings (STEP-Data) for MLA29 for your CAD-Program, or as a PDF-file on our homepage.

Actuator data:

Gear/drive-type no.	Load, Push N	Load, Pull N	Typ. power consumption by load A	Speed, without load (32VDC) mm/s	Stroke length (standard) in mm	Built-in measurement in mm
B	1500	1500	5,0	30,2	50 - 600	Stroke length + min.153mm
C	2500	2500	5,0	16,0	50 - 600	Stroke length + min.153mm
E	4500	4000	4,5	6,5	50 - 600	Stroke length + min.153mm
G	6000	4000	5,0	6,0	50 - 450	Stroke length + min.153mm

Molex plugs/connections:

Product	1	2	3	4	5	6	7	8
Color	White	Red		Green	Blue	Orange	Black	Yellow
Dual Hall	Hall 1	+5V	NC	Motor+	Hall 2	NC	Ground	Motor-

Manuals, installation instructions, approvals/certificates, Safety instructions etc.:

Installation manuals, assembly- and installation instructions, warnings, instructional videos and further information, can be found on our homepage: www.movetec.dk



Bluetooth® is a registered trademark and are the property of the owner Bluetooth SIG, Inc. Android®/ Google Play® is registered trademarks and are the property of the owner Google Inc. Apple®/ App Store® is registered trademarks and are the property of the owner Apple Inc. Other trademarks and trade names are the property of their respective owners.

Further information → www.movetec.dk



© Copyright Movetec Solutions ApS. LKD/MLA29/dat267-UK/1/100/0820

MOVETEC

Tel. +45 64 89 28 05 · www.movetec.dk



True Innovative Moving Technology