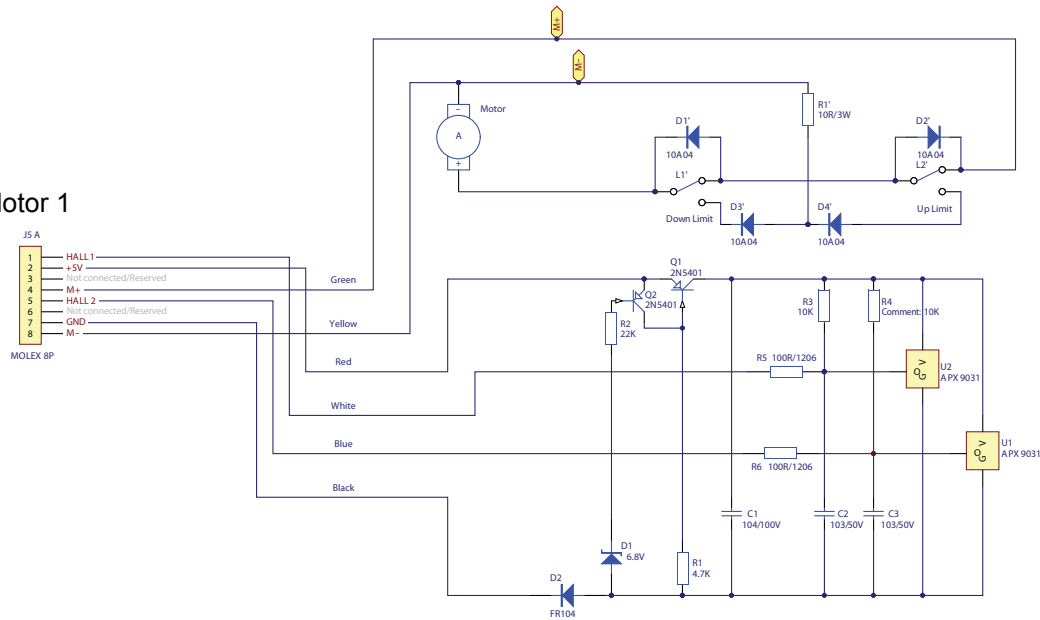
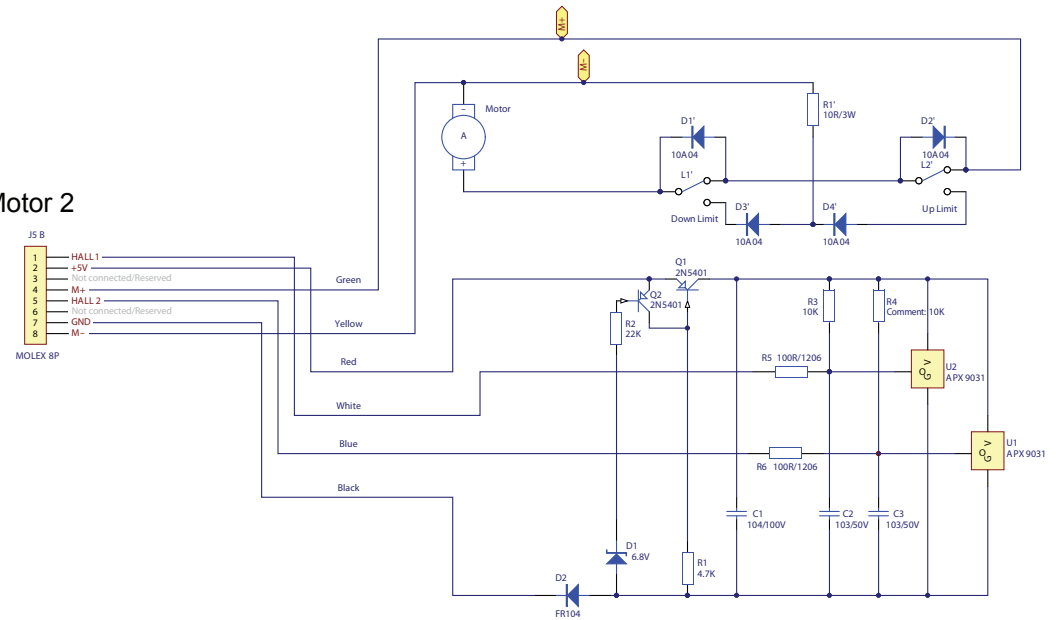


Motor 1



Motor 2



Two switches at full retracted extended positions to cut current + dual HALL signals

Drawn by thk	Scale	Used in: Electrical diagram for lifting columns with 2 motors	Date 03.02.2021.
		Dual HALL sensor reference circuit diagram	Norm. (DIN)
		Drawing number: MAC-EL1.3e/2/21	Sheet 1 / 1
This drawing remains property of MOVETEC and may not be copied or given to any other party for information or use without our written consent.			