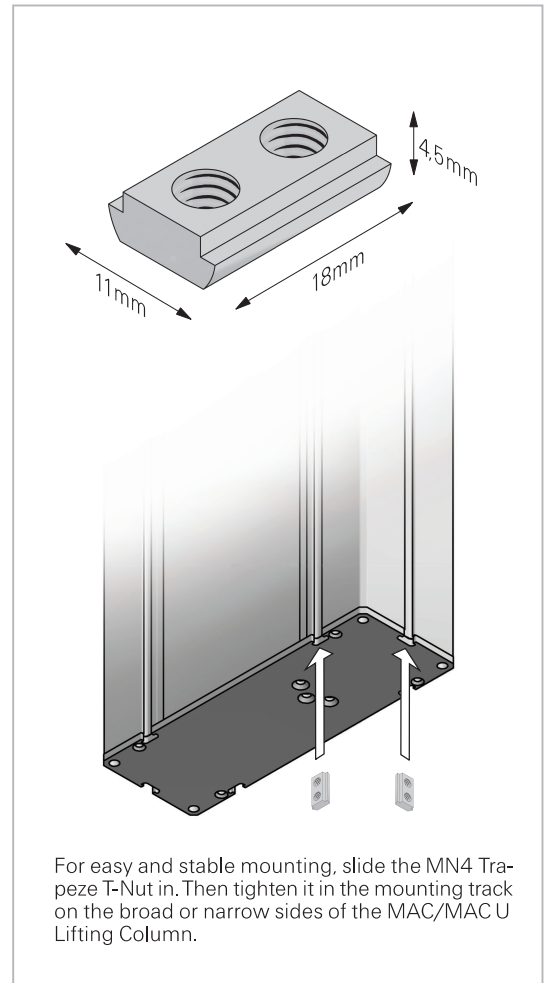


Trapez T-Nut for MAC Lifting Columns

MN4



For easy and stable mounting, slide the MN4 Trapez T-Nut in. Then tighten it in the mounting track on the broad or narrow sides of the MAC/MAC U Lifting Column.



Trapez T-Nut for MAC Lifting Columns MN4

T-Nut for easy, safe and solid mounting of MAC/MAC U

MN4 T-Nut for MAC/MAC U Lifting Columns. The T-Nuts are designed for secure and reliable installation of MAC/MAC U Lifting Columns in any application. The trapezium-shaped T-Nuts fit perfectly into the mounting tracks in MAC/MAC U Lifting Columns. MN4 T-Nuts are designed for mounting on the broad and narrow side of MAC/MAC U Lifting Columns (on the broad side of MAC2/ MAC2U use the MN1 Trapez T-Nut instead).

NB: If you decide to secure the lifting column via the MAC/MAC U mounting tracks, it is important to use MN1, MN2, MN3 or MN4 T-Nuts to achieve correct installation and strength. The number of MN4 T-Nuts you must use depends on the load that the mounting track/lifting column will be exposed to.

Material specifications:

Material: Hard Aluminium alloy
Surface Treatment: Nature, raw
Option: Stainless steel

Technical data:

Dimensions, base: 18mm x 11mm
Dimensions, top: 18mm x 7.9mm
Depth: 4,5mm
Fits: MAC and MAC U
Fits spline/mounting track, width: 8mm
Trapeze angle on sides: Round ϕ 11mm
Max. load (T-Nut): 1000N (depends on load angle)
Uses: Attachment to broad and narrow sides of MAC/MAC U Lifting Columns (on the broad side of MAC2/ MAC2U use the MN1 Trapez T-Nut instead).
Screw hole: M6
Number of screw holes: 2
Number of MN4 T-Nuts per mounting track in MAC/MAC U Lifting Column: Determined by the load that the mounting track/lifting column will be exposed to.
Max. torque when fitting in MAC/MAC U mounting tracks (with screws): 6.8 Nm

Option: Complete fitting kit with customer-specific contents can be supplied with MAC/MAC U Lifting Columns.

MOVETEC



True Innovative Moving Technology

Trapez T-Nut for MAC Lifting Columns

MN4

Accessories, mounting screws, special parts and more:

Accessories available for the MAC/MACU Lifting Columns include sturdy mounting plates for top and base, mounting plates for 90° right-angled fitting, a range of T-Nuts, self-tapping screws/bolts and mounting screws/bolts. Fittings/parts and mounting plates are available to order in customer-specific sizes and designs. You are welcome to contact us at any time if you need advice, have specific requirements or need further information. Call us on +45 64 89 28 05. We also offer tailor-made and Plug and Play solutions.

CAD-drawings:

You can download 3D-drawings (STEP-Data) for the MN4 for your CAD-Program, or as a PDF-file, on our homepage.

Manuals, installation instructions, approvals/certificates, Safety instructions etc.:

Installation manuals, assembly- and installation instructions, warnings, instructional videos and further information, can be found on our homepage: www.movetec.dk

Further information → www.movetec.dk

INSTALL VIDEO PHOTO DATA BUILD E-MAIL 3D-CAD CE-APP

© Copyright Movetec Solutions ApS. LKD/MN4/dat285-UK/1/100/0221



Tel. +45 64 89 28 05 · www.movetec.dk



True Innovative Moving Technology