

Control Box Washable/Waterproof Synchronous Control Box for 1 or 2 Lifting Columns or Actuators

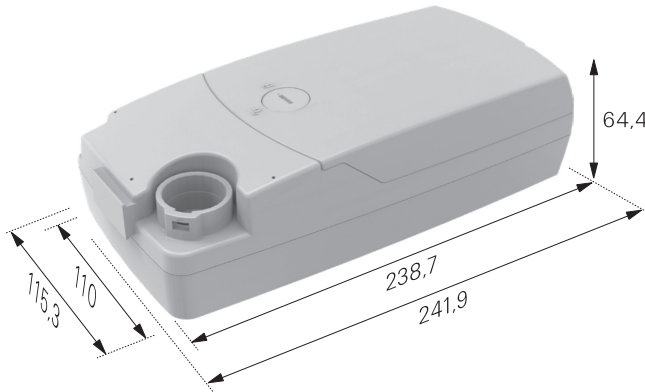
MCB-TC21

 **Waterproof IP66W**

0.1 Watt
Standby Power Consumption



Optional:



Control panel:
E.g. MCP-009
 waterproof control panel or other waterproof Movetec control panel.

IP66W waterproof Control Box MCB-TC21

Washable Control Box for 1 or 2 lifting columns/actuators. Synchronous operation of 2 motors is standard.

MCB-TC21 is specially designed for operations in wet conditions or where a wet cleaning is a required, e.g. workstations or workbenches - but also very suitable, and configured, for all industrial and medical applications. MCB-TC21 has a highly efficient SMPS power supply, a smooth design, small mounting dimensions, programmable software, synchronous operation of 2 lifting columns/actuators as standard, and also possibilities for special functions, e.g. anti-collision and individual custom software design - more options for your applications.

Plug & Play: MCB-TC21 is a Plug & Play control box, complete with cables, and available with different waterproof control panels, lifting columns or actuators - as a complete lifting column- or actuator set.

Option: By selecting a control box with Bluetooth®, lifting columns or actuators are easily controlled through the iPhone® or Android® smartphone. Select the Movetec MCB-TC21 with a Bluetooth® set.

Material specifications:

Housing, socket/plug, cable: PC, ABS, PVC, other plastics/rubber/silicone.

Technical data:

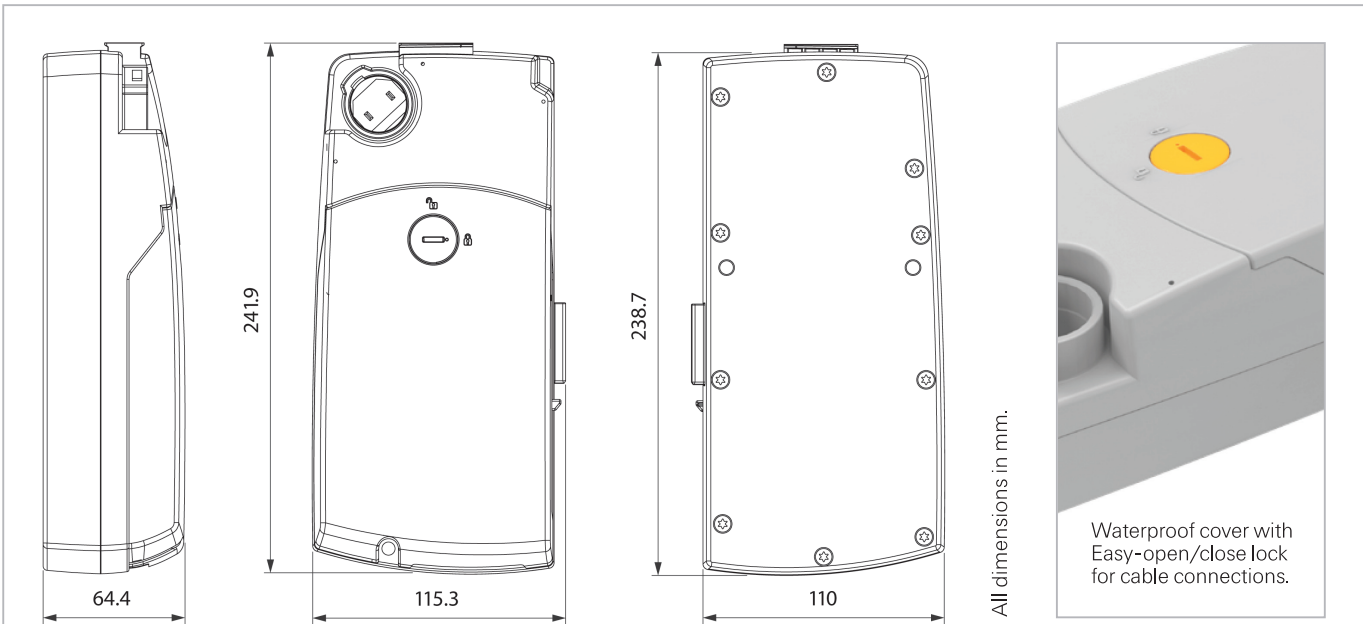
Control box capacity, number of lifting columns/actuators: 1 or 2
Synchronous operation: Yes, 2 lifting columns/actuators
Power: Max. output 32V DC, 8A/10A
Sockets/plugs: Lifting column/actuator: Molex. Control Panel: RJ10/DIN
Application: Suitable for all Movetec lifting columns and actuators
Intermittents: 10-25%
Rated voltage: 100-240V AC 50/60Hz
Power plug support: EU, US, AU, UK and JP
Power Supply Type: Highly efficient switch mode power supply (SMPS)
Hall sensors and potentiometers compatible: Yes
Standby power consumption: 0.1 W
Dimensions (L, W, H): 241,9/238,7mm x 115,3/110mm x 64,4mm
Mounting: Track
Memory positions: Depending on the control panel/unit
Collision protection/anti-collision systems, low-speed zone possible: Yes
Ambient temperature during operation: +5°C - +45°C
IP class: IP66W (Protection class II/double insulated electrical appliance)
Safety zone and sensor flow possible: Yes
Configurable stop conditions, limit switches: Yes
Certificates: IEC60601-1, IEC60601-1-2
Options: Additional functions (such as saving positions, adjusting to a position etc. depending on the execution of the control panel/units), Bluetooth®.



True Innovative Moving Technology

Control Box Washable/Waterproof Synchronous Control Box for 1 or 2 Lifting Columns or Actuators

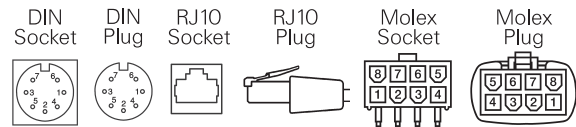
MCB-TC21



Perfect fit: Movetec's range of control boxes ensure a perfect fit for manufacturers applications. Depending on the applications required components and functionality, customized software can be written to manage the various movements expected from the complete system. Movetec's control boxes are designed for industries such as home furniture, workplace ergonomics, medical applications and industrial applications. IP-ratings: IP54, IP66 and IP66W (washable/waterproof).

Customizable Software: Movetec makes highest quality electric lifting column and linear actuator systems available. A key part of these motion systems is the control box which serves as the brains of the systems. Software within these control boxes are custom designed by our dedicated software engineering team to ensure compatibility with your systems components. Custom software design also provides your system with higher complexity options such as synchronization and simultaneous movement.

Individual, Synchronized or Simultaneous Movement: Potentiometers and Hall Effect sensors are used to send feedback signals to the control box. These signals relay the accurate, current position of an electric lifting column or linear actuator and can be used when synchronization or simultaneous movement between two or more electric lifting columns or linear actuators is required. Examples of applications which require synchronization are height adjustable desks, medical beds and for countless industrial applications. Within a synchronized application, the actuators will be required to maintain exactly the same level of travel between two or more electric Lifting Columns or linear actuators. If the electric lifting columns or linear actuators within the application do not maintain synchronization, the application will not maintain the proper level.



RJ10, DIN and Molex Sockets and Plugs:

RJ10 socket or DIN socket connectors for control panels and Molex socket connectors for all lifting columns and actuators.

Control Panels, Lifting Columns and Actuators:

MCB-TC21 can work with most Movetec control panels, and all Movetec lifting columns and actuators. MCB-TC21 control boxes can also be programmed for custom applications and functions - please contact us, we will look forward to your call: +45 64 89 28 05.

CAD-drawings:

You can download 3D-drawings (STEP-Data) for MCB-TC21 for your CAD-Program or as a PDF-file on our homepage.

Manuals, installation instructions, approvals/certificates, Safety instructions etc.:

Installation manuals, assembly- and installation instructions, warnings, instructional videos and further information, can be found on our homepage: www.movetec.dk



Bluetooth® is a registered trademark and are the property of the owner Bluetooth SIG, Inc. Android®/ Google Play® is registered trademarks and are the property of the owner Google Inc. Apple®/ App Store® is registered trademarks and are the property of the owner Apple Inc. Other trademarks and trade names are the property of their respective owners.

Further information → www.movetec.dk



© Copyright Movetec Solutions ApS. LKD/MCB-TC21/dat294-UK/3/100/0321



Tel. +45 64 89 28 05 · www.movetec.dk

True Innovative Moving Technology