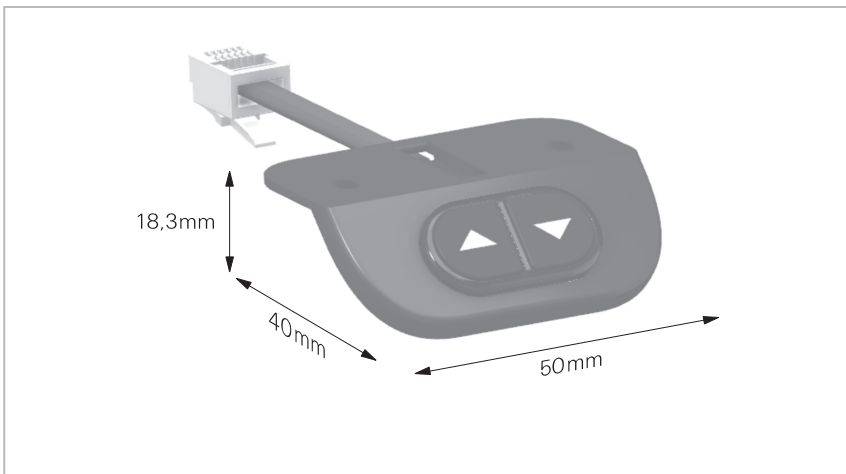


Control Panel

MCP-007



PUSH/PULL Control Panel MCP-007

Standard 2-button Control Panel for under-table mounting

The MCP-007 Control Panel for the LC-Control Box series, is a good choice for a wide range of ergonomic office tables, workstation tables, workbenches, control centre tables, monitor walls and all other UP/DOWN, IN/OUT and PUSH/PULL functions in all applications which includes lifting columns or actuators.

The MCP-007 Control Panels buttons is user-friendly, and offers a Soft-Touch "Click"-feeling by every button press..

With the small size, the MCP-007 can easily be integrated into the design of a worktable or similar applications which includes lifting columns or actuators. The control panel for mounting under the table, are fastened to the table top from below with 2 screws. The connection cable is then led to the control box and plugged in there. Plug & Play!

Material specifications:

Control Panel: PC, PP, ABS and other plastics. Cable: PVC.

Technical data:

- Control Panel size (WxD): 50mm x 40mm (+cable)
- Control Panel thickness: 18,3mm
- Mounting holes: 3mm
- Mounting holes, quantity : 2
- Mounting: Front-/under-table mounting
- System/Series: Control Panel for the LC-Control Box series
- Light: No
- Push buttons: 2 buttons; UP/DOWN, IN/OUT or PUSH/PULL
- Color: Black
- Marking/imprint: Arrows
- Memory function: No
- Communication: Analog
- Sealing: The MCP-007 control panel should be protected against water and moisture exposure
- IP-Protection Class: IP42
- Operating temperature: +5°C - +45°C
- Cable length: Standard 1800mm
- Socket/Plug: RJ 12

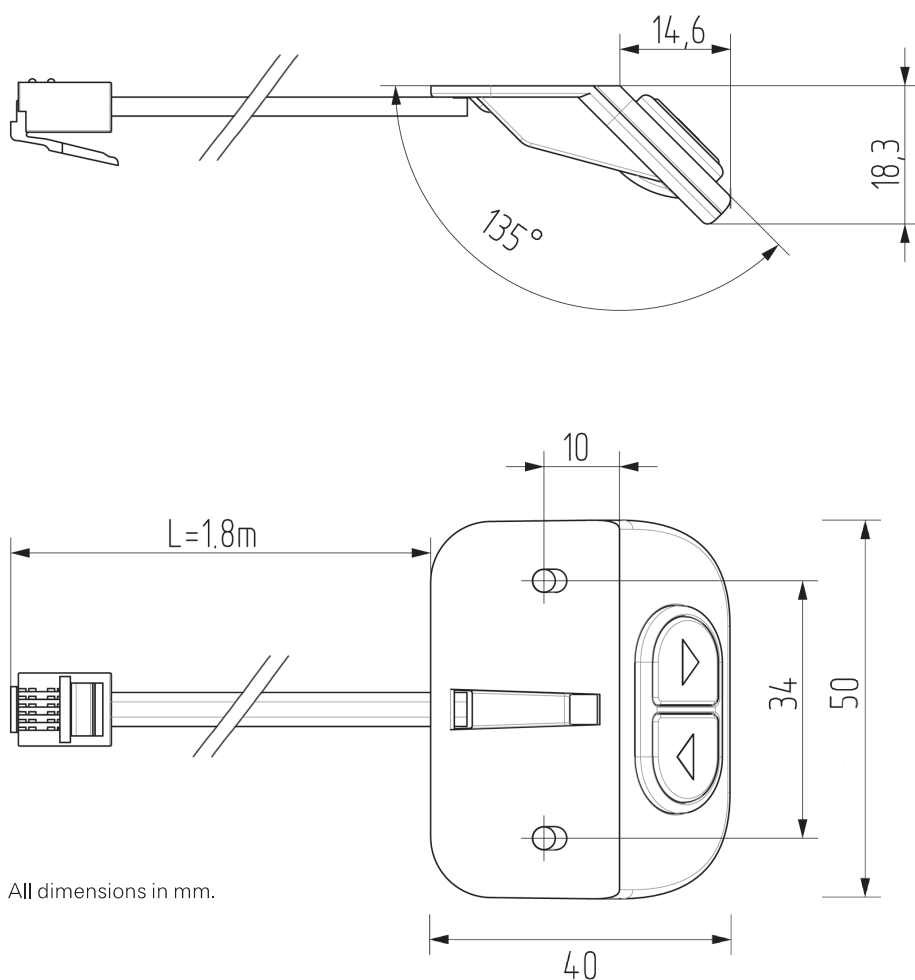
Options: Movetec offers the MCP-007 with other cable lengths or extension cables.



True Innovative Moving Technology

Control Panel

MCP-007



All dimensions in mm.

Further Information:

More information, good advices etc. - please contact us with your wishes, we are looking forward to your call: +45 64 89 28 05.

CAD-drawings:

You can download 3D-drawings (STEP-Data) for the MCP-007 for your CAD-Program, or as a PDF-file, on our homepage.

Manuals, installation instructions, approvals/certificates, Safety instructions etc.:

Installation manuals, assembly- and installation instructions, warnings, instructional videos and further information, can be found on our homepage: www.movetec.dk

Further information → www.movetec.dk



© Copyright Movetec Solutions ApS. LKD/MCP-007/dat225-UK/1/100/0321

MOVETEC

Tel. +45 64 89 28 05 · www.movetec.dk



True Innovative Moving Technology