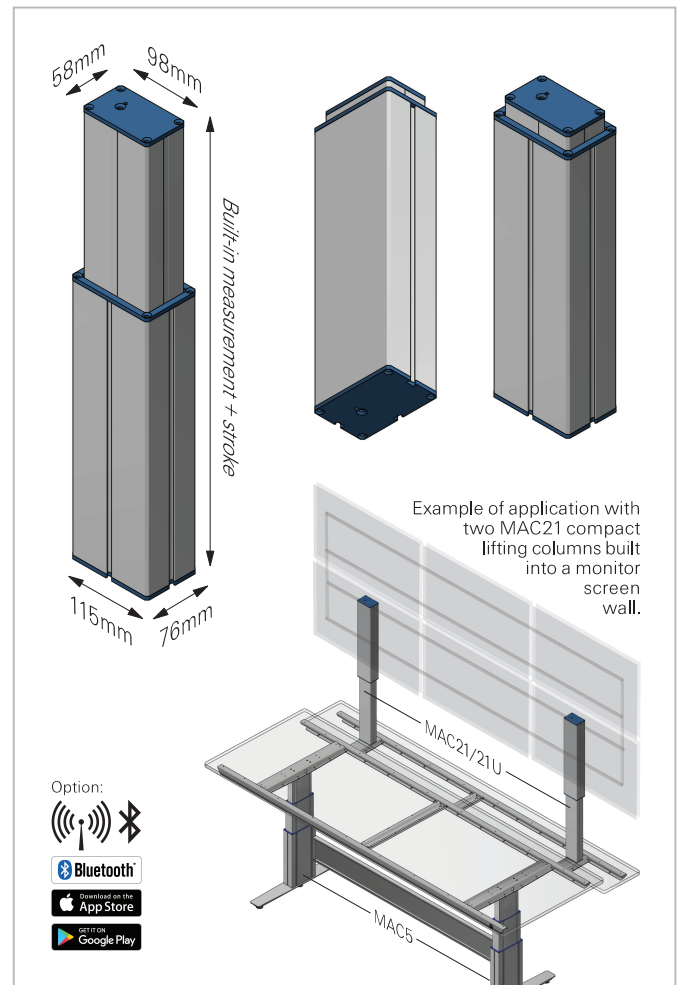


Compact Aluminium Lifting Column

MAC21

Up to 3500N



Compact Aluminium Lifting Column MAC21

All-round! - for ergonomic workplaces, monitor walls etc.

MAC21 is a new, compact and all-round lifting column, designed to meet the requirements of high quality in industrial workplaces and all other types of applications. In the development, high stability and a reasonable price level were emphasized. The lifting column is designed for loads of max. 3500N, speed up to 30mm/s without load.

Plug & Play: MAC21 is also available as a complete Plug & Play solution, including 1 or more MAC21 lifting columns, a Movetec control box 230V AC, all cables and a control panel or a remote control. By selecting a control box with Bluetooth®, MAC21 are easily controlled by iPhone® or Android®-Smartphone.

Material specifications:

- Outer profile: Anodized Aluminium
- Inner profile: Anodized Aluminium
- Friction sliders: POM Derivate
- Top plate: Steel
- Bottom plate: Steel
- Lifting drive parts: Aluminium, Steel, ABS, POM, PP

Technical data:

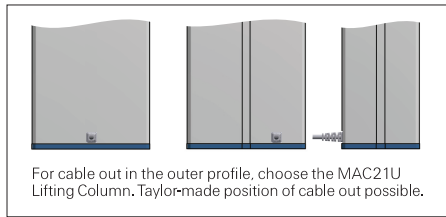
- Max. load: 3500N (depends on the stroke length)
- Max. speed without load: 30mm/s at 1000N (depends on force)
- Stroke length: 100-600mm/special versions up to 1000mm (depends on force)
- Dyn./static bending moment: Depends on version, length/stroke length
- Installation length/Built-in measurement: 222-779mm
- Operation temperature: +5° C - +45° C
- Power supply/Voltage: 12/24V DC
- Cable out: Cable out in the inner profile
- Intermittents: 25%
- Double Hall-sensors: Yes
- Top plate size: 98mm x 58mm
- Bottom plate size: 115mm x 76mm
- Outer profile size: 115mm x 76mm
- Inner profile size: 98mm x 58mm
- Mounting track: Width top 8,1 mm/inside 8,1-12mm/depth 5mm
- Control box: More options, see: www.movetec.dk
- Synchronized drive: Max.32x lifting columns in synchronized drive
- Control panel: More options, see: www.movetec.dk

Options: Bluetooth® controlling for iPhone®- and Android® Smartphones. Potentiometer. Top- and bottom mounting plates. Cable out in the outer profile (see MAC21U). 100% brake. Small remote control.

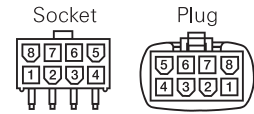
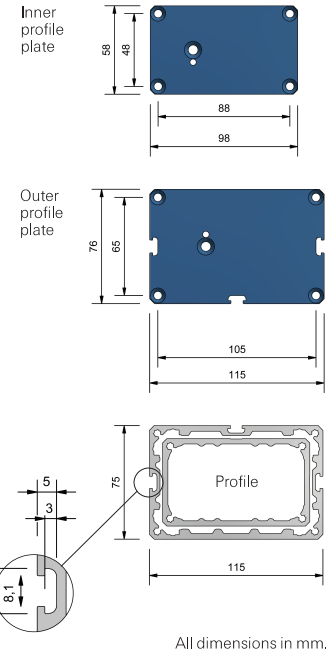
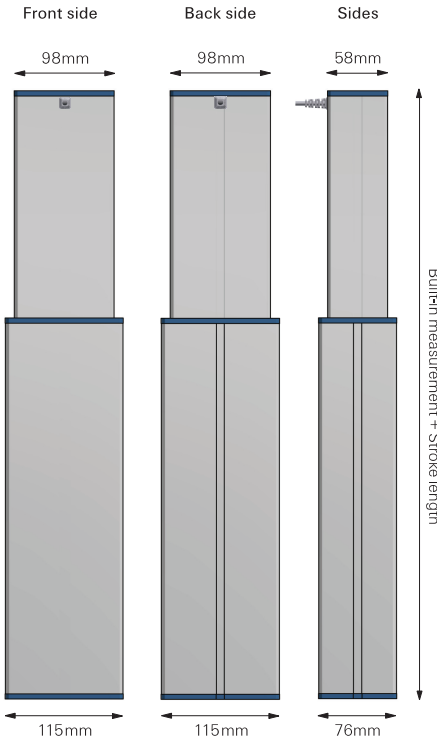
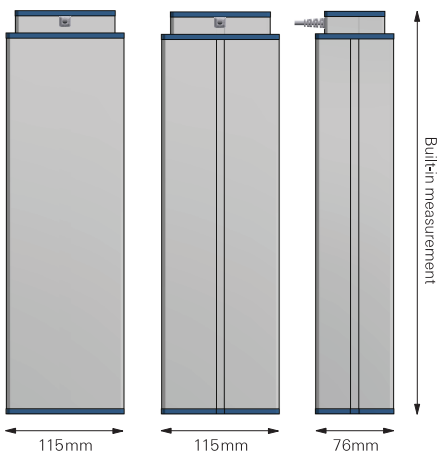
Compact Aluminium Lifting Column

MAC21

Up to 3500N



MAC21 cable out: Cable out in the inner profile.



Control boxes and control panels:

MAC21 can be used with all Movetec control boxes and Movetec control panels. Some control boxes can also be programmed for customer-specific functions - please contact us with your wishes, we are looking forward to your call: +45 64 89 28 05.

Molex plugs/connections:

Product	1	2	3	4	5	6	7	8
Color	White	Red		Green	Blue	Orange	Black	Yellow
Dual Hall	Hall 1	+5V	NC	Motor+	Hall 2	NC	Ground	Motor-

CAD-drawings:

You can download 3D-drawings (STEP-Data) for MAC21 for your CAD-Program or as a PDF-file on our homepage.

Manuals, installation instructions, approvals/certificates, Safety instructions etc.:

Installation manuals, assembly- and installation instructions, warnings, instructional videos and further information, can be found on our homepage: www.movetec.dk

Lifting columns data:

Gear/drive-type no.	Load, Push N	Load, Pull N	Typ. power consumption by load A	Speed, without load (32VDC) mm/s	Stroke length in mm	Built-in measurement (by stroke length 100-600mm) in mm	Remote control and SmartPhone control option
G	3500	3500	4,7	12,0	100-600	222-779	Yes
J	2000	2000	3,2	17,0	100-600	222-779	Yes
K	1500	1500	3,5	23,5	100-600	222-779	Yes
C	1000	1000	3,8	30,0	100-600	222-779	Yes



Bluetooth® is a registered trademark and are the property of the owner Bluetooth SIG, Inc. Android®/ Google Play® is registered trademarks and are the property of the owner Google Inc. Apple®/ App Store® is registered trademarks and are the property of the owner Apple Inc. Other trademarks and trade names are the property of their respective owners.

Further information → www.movetec.dk



© Copyright Movetec Solutions ApS. LKD/MAC21/dat288-UK/2/100/0221

MOVETEC

Tel. +45 64 89 28 05 · www.movetec.dk



True Innovative Moving Technology