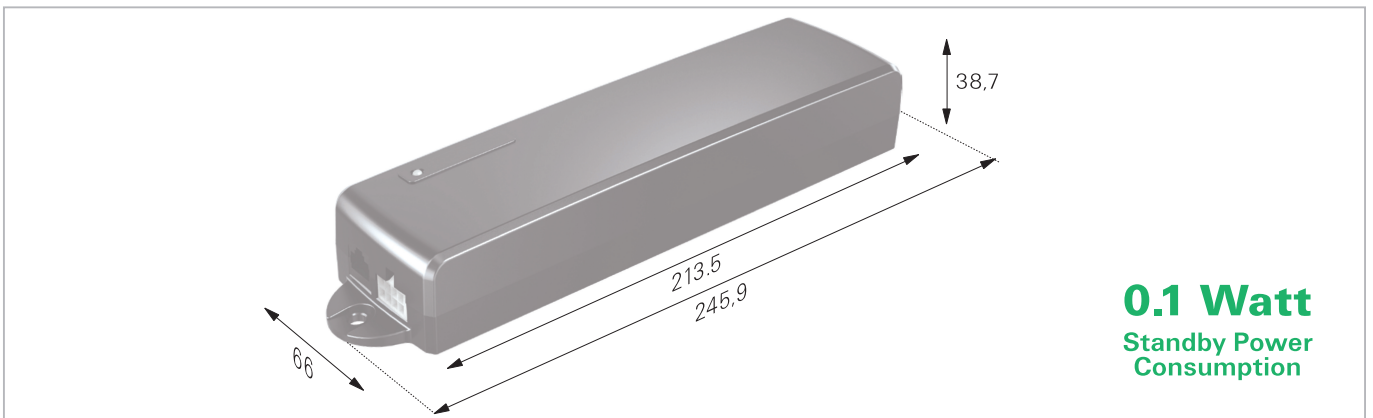


Control Box for 1 Lifting Column or Actuator

MCB-TC11



Optional:



0.1 Watt
Standby Power Consumption

Control Box MCB-TC11

High Performance Control Box for 1 Lifting Column or 1 Actuator. Very Low Standby Power Consumption.

MCB-TC11 is specially designed for adjustable desks/workstations, but also very suitable and configured for all industrial and medical applications. MCB-TC11 has a highly efficient SMPS power supply, a flat design, small mounting dimensions, programmable software. For synchronous operation/cascading of several control boxes, possibilities for special functions, e.g. anti-collision and individual custom software design etc.: Then choose one of our other Control Boxes.

Plug & Play: MCB-TC11 is a Plug & Play control box, complete with cables, and available with many different control panels, lifting columns or actuators - as a complete lifting column- or actuator set.

Option: By selecting a control box with Bluetooth®, lifting columns or actuators are easily controlled through the iPhone® or Android® smartphone. Select the Movetec MCB-TC 11 with Bluetooth®.

Material specifications:

Housing, socket, plug, cable: PC, ABS, PVC, and other plastics.

Technical data:

Control box capacity, number of lifting columns or actuators: 1
Cascading/synchronous operation: No
Power: Max. output 32V DC, 2,5 A
Lifting column and actuator sockets and plugs: Molex
Control panel sockets and plugs: RJ10
Application: Suitable for all Movetec lifting columns and actuators
Intermittents: 10-25%
Rated voltage: 120-240V AC 50/60Hz
Power plug support: EU, USA, AUS, UK and JPN
Power Supply Type: Highly efficient switch mode power supply (SMPS)
Hall sensors and potentiometers compatible: Yes
Standby power consumption: 0.1 W
Dimensions (L, W, H): 245,9mm x 66mm x 38,7mm
Mounting: 2x screws, head size ø6mm and ø10mm
Memory positions: Yes, depending on the control panel/unit
Collision protection/anti-collision systems, low-speed zone possible: Yes
Ambient temperature during operation: +5°C - +45°C
IP class: IP20. Protection class II/double insulated electrical appliance
Safety zone and sensor flow possible: Option
Configurable stop conditions, limit switches: Option
Options: Additional functions (such as saving positions, adjusting to a position, etc.; depending on the execution of the control panel/units).

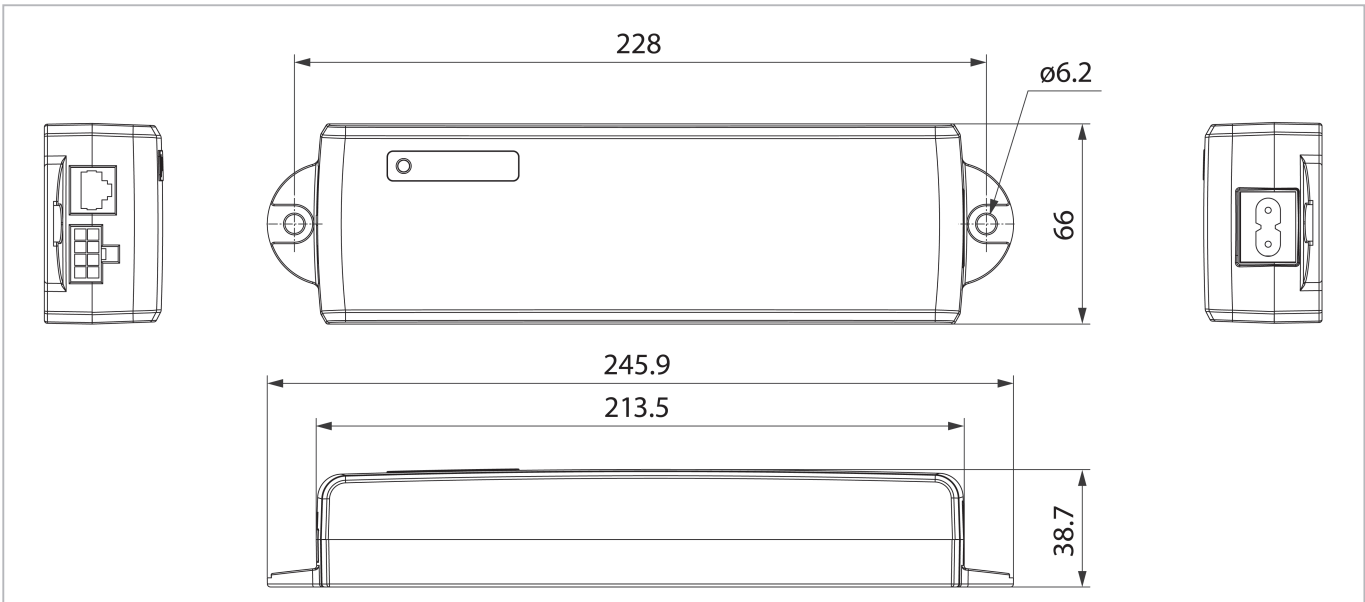
MOVETEC



True Innovative Moving Technology

Control Box for 1 Lifting Column or Actuator

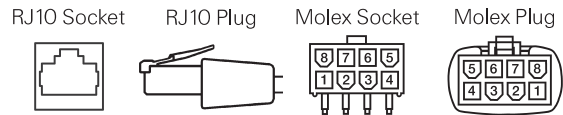
MCB-TC11



Perfect fit: Movetec’s range of control boxes ensure a perfect fit for manufacturers applications. Depending on the applications required components and functionality, customized software can be written to manage the various movements expected from the complete system. Movetec’s control boxes are designed for industries such as home furniture, workplace ergonomics, medical applications and industrial applications.

Customizable Software: Movetec makes highest quality electric lifting column and linear actuator systems available. A key part of these motion systems is the control box which serves as the brains of the systems. Software within these control boxes are custom designed by our dedicated software engineering team to ensure compatibility with your systems components. Custom software design also provides your system with higher complexity options such as synchronization and simultaneous movement.

Individual, Synchronized or Simultaneous Movement: Potentiometers and Hall Effect sensors are used to send feedback signals to the control box. These signals relay the accurate, current position of an electric lifting column or linear actuator and can be used when synchronization or simultaneous movement between two or more electric lifting columns or linear actuators is required. Examples of applications which require synchronization are height adjustable desks, medical beds and for countless industrial applications. Within a synchronized application, the actuators will be required to maintain exactly the same level of travel between two or more electric Lifting Columns or linear actuators. If the electric lifting columns or linear actuators within the application do not maintain synchronization, the application will not maintain the proper level.



RJ10 and Molex Sockets and Plugs:

RJ10 socket for all control panels, Molex socket connectors for all lifting columns and actuators.

Control Panels, Lifting Columns and Actuators:

MCB-TC 11 can work with most Movetec control panels, and all Movetec lifting columns and actuators. MCB-TC 11 control boxes can also be programmed for custom applications and functions - please contact us, we will look forward to your call: +45 64 89 28 05.

CAD-drawings:

You can download 3D-drawings (STEP-Data) for MCB-TC 11 for your CAD-Program or as a PDF-file on our homepage.

Manuals, installation instructions, approvals/certificates, Safety instructions etc.:

Installation manuals, assembly- and installation instructions, warnings, instructional videos and further information, can be found on our homepage: www.movetec.dk



Bluetooth® is a registered trademark and are the property of the owner Bluetooth SIG, Inc. Android®/ Google Play® is registered trademarks and are the property of the owner Google Inc. Apple®/ App Store® is registered trademarks and are the property of the owner Apple Inc. Other trademarks and trade names are the property of their respective owners.

Further information → www.movetec.dk



© Copyright Movetec Solutions Aps. LKD/MCB-TC11/dat240JK/1/100/0821



Tel. +45 64 89 28 05 · www.movetec.dk

True Innovative Moving Technology