

Accu Control Box Set for 1 or 2 Lifting Columns or Actuators **MCB-TC15-PK**

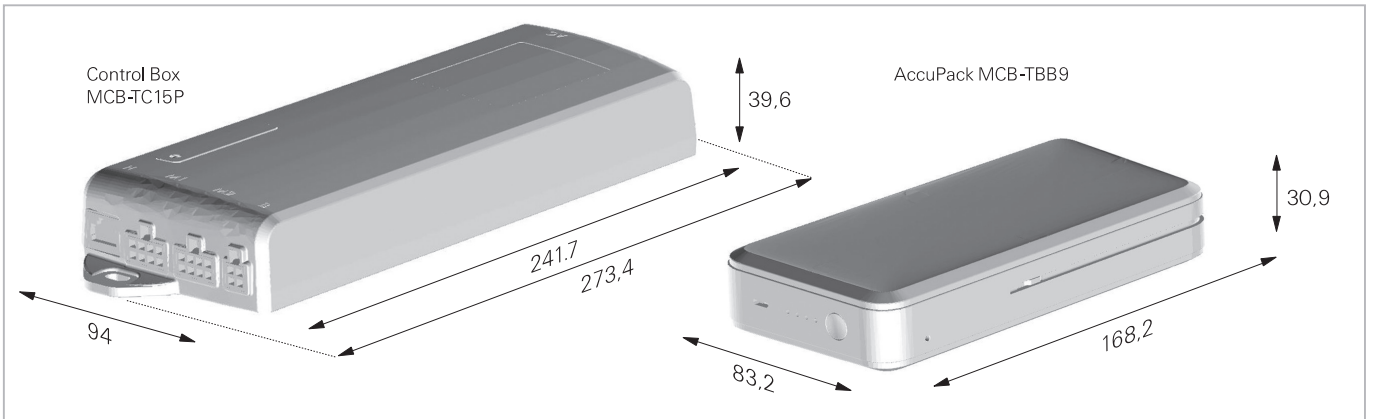
0.1 Watt
Standby Power Consumption



- AccuPack MCB-TBB9 advantages:
- Lithium-Ion Accu
 - Thermal overload protection/-circuit breaker
 - LED indicator and buzzer for battery capacity status
 - Overcurrent protection



The set includes holder/charger for AccuPack



AccuPack Control Box Set MCB-TC15-PK

High Performance Control Box Set for 1 or 2 lifting columns/actuators. Low Standby Power Consumption.

MCB-TC 15-PK Set is specially designed for controlling adjustable desks/workstations and ergonomically correct workplaces, but also very suitable and configured for all industrial and medical applications. The Control Box and AccuPack has a flat design, small mounting dimensions, programmable software, and optional synchronous operation/cascading of several control boxes, and also possibilities for special functions, e.g. anti-collision and individual custom software design. The MCB-TC15-PK Set includes charger/holder for the AccuPack.

Plug & Play: MCB-TC 15-PK is a Plug & Play control box set, complete with cables, and available with many different control panels, lifting columns or actuators - as a complete lifting column- or actuator set.

Option: By selecting a control box with Bluetooth®, lifting columns or actuators are easily controlled through the iPhone® or Android® smartphone. Select the Movetec MCB-TC 15-PK Set with Bluetooth®.

Material specifications:

Housing, socket, plug, cable: PC, ABS, PVC and more. AkkuPack: Lithium.

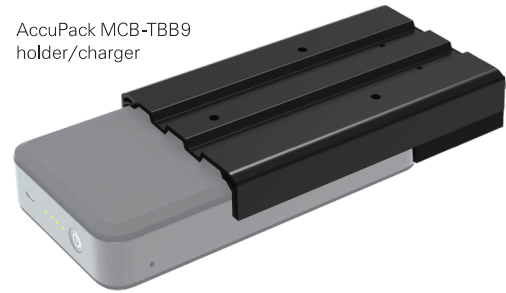
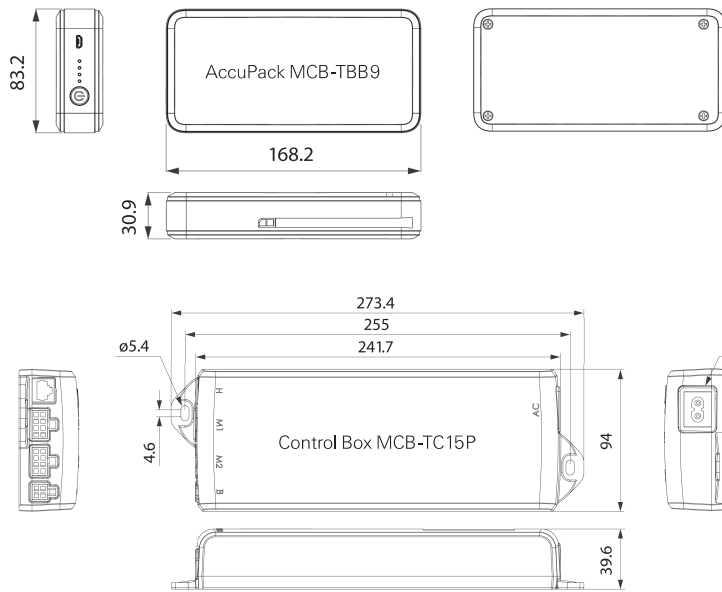
Technical data:

Control box capacity, number of lifting columns/actuators: 2
 Cascading/synchronous operation: Yes, max. 4 lifting columns/actuators
 Power: Max. output 32V DC 4A/AccuPack: 15A, Lithium 2,5Ah/63Wh
 Sockets and plugs: Lifting column/actuator: Molex. Control Panel: RJ10
 Compatibility: Suitable for all Movetec lifting columns and actuators
 Intermittents: 10-25% / Standby power consumption: 0.1 W
 Rated voltage: 120-240V AC 50/60Hz/AkkuPack Lithium-Ion
 Power plug support: EU, USA, AUS, UK and JPN
 Power Supply Type: Highly efficient switch mode power supply (SMPS)
 Hall sensors and potentiometers compatible: Yes
 Dimensions (L, W, H), Control Box: 273,4mm x 94mm x 39,6mm
 Dimensions (L, W, H), AccuPack: 168,2mm x 83,2mm x 30,9mm
 Mounting: Screws, head size ø4mm and ø5mm
 Memory positions: Yes, depending on the connected control panel
 Collision protection/anti-collision systems, low-speed zone possible: Yes
 Ambient temperature during operation: +5°C - +40°C
 IP class: IP20. Protection class II/double insulated electrical appliance
 Safety zone and sensor flow possible: Yes
 Configurable stop conditions, limit switches: Yes
 Certificate: IEC62133-2:2017
Options: Additional functions (such as saving positions, adjusting to a position, etc. depending on the execution of the control panel). Bluetooth®.

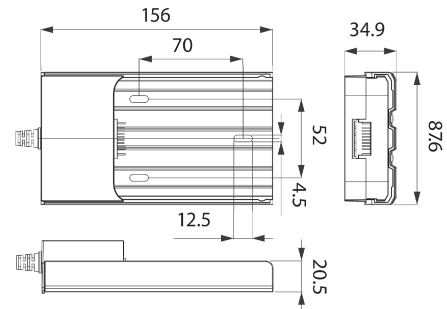


True Innovative Moving Technology

Accu Control Box Set for 1 or 2 Lifting Columns or Actuators MCB-TC15-PK



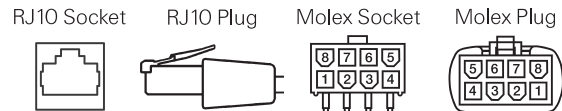
AccuPack MCB-TBB9 holder/charger



Perfect fit: Movetec's range of control boxes ensure a perfect fit for manufacturers applications. Depending on the applications required components and functionality, customized software can be written to manage the various movements expected from the complete system. Movetec's control boxes are designed for industries such as home furniture, workplace ergonomics, medical applications and industrial applications.

Customizable Software: Movetec makes highest quality electric lifting column and linear actuator systems available. A key part of these motion systems is the control box which serves as the brains of the systems. Software within these control boxes are custom designed by our dedicated software engineering team to ensure compatibility with your systems components. Custom software design also provides your system with higher complexity options such as synchronization and simultaneous movement.

Individual, Synchronized or Simultaneous Movement: Potentiometers and Hall Effect sensors are used to send feedback signals to the control box. These signals relay the accurate, current position of an electric lifting column or linear actuator and can be used when synchronization or simultaneous movement between two or more electric lifting columns or linear actuators is required. Examples of applications which require synchronization are height adjustable desks, medical beds and for countless industrial applications. Within a synchronized application, the actuators will be required to maintain exactly the same level of travel between two or more electric Lifting Columns or linear actuators. If the electric lifting columns or linear actuators within the application do not maintain synchronization, the application will not maintain the proper level.



RJ10 and Molex Sockets and Plugs:

RJ10 socket for all control panels connections, Molex socket connectors for all Movetec lifting columns and actuators.

Control Panels, Lifting Columns and Actuators:

MCB-TC15-PK can work with Movetec TC-control panels, and all Movetec lifting columns and actuators. MCB-TC15-PK Control Box Set can also be programmed for custom applications and functions - please contact us, we will look forward to your call: +45 64 89 28 05.

CAD-drawings:

You can download 3D-drawings (STEP-Data) on MCB-TC15-PK parts for your CAD-Program or as a PDF-file on our homepage.

Manuals, installation instructions, approvals/certificates, Safety instructions etc.:

Installation manuals, assembly- and installation instructions, warnings, instructional videos and further information, can be found on our homepage: www.movetec.dk



Bluetooth® is a registered trademark and are the property of the owner Bluetooth SIG, Inc. Android®/ Google Play® is registered trademarks and are the property of the owner Google Inc. Apple®/ App Store® is registered trademarks and are the property of the owner Apple Inc. Other trademarks and trade names are the property of their respective owners.

Further information → www.movetec.dk



© Copyright Movetec Solutions ApS. LKD/MCB-TC15-PK/dat297-UK/2/100/0921



Tel. +45 64 89 28 05 · www.movetec.dk



True Innovative Moving Technology