

Lifting Columns, Control Boxes and Control Panels for Control Centre Tables and Furnitures, as well as building monitor walls

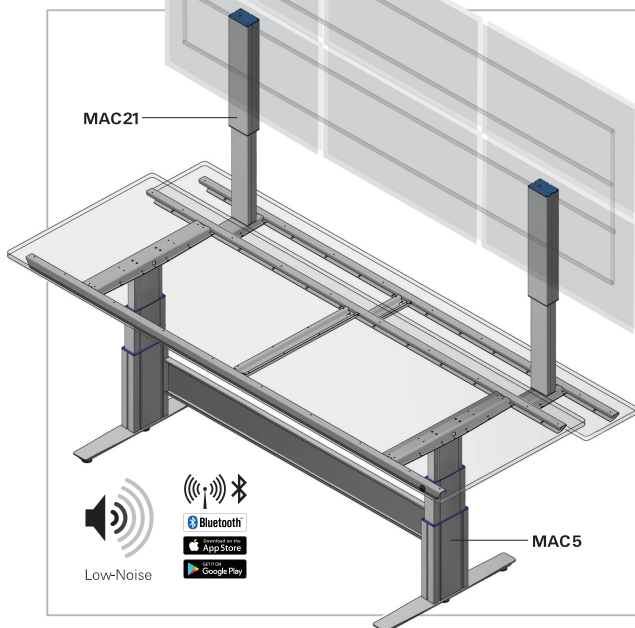


Control Centre Lifting Columns are suitable for:

- Control centres and control rooms
- Security centres
- Command centres
- Control centres for police, fire and rescue services
- Traffic and transport monitoring
- Airport and air traffic control centres
- Shipping and offshore
- Train/tram/light rail control and command centres
- Radio/TV stations, media technology, audio and video communications
- Information and communication
- Defence and intelligence services
- Energy and utilities sector
- Industry and production management
- The banking and finance sector
- The security and alarm industry, alarm technology, control and monitoring
- Other industries where many monitors are required

Small control centre lifting column **MAC21**: For building screen tables. Up to **3500N** per lifting column!

The lifting and installation height can be adjusted to 1, 2 or even more rows of screens.



E.g. control centre table: Movetec's lifting columns are suitable for building monitor walls where it must be possible to raise and lower these - for workplaces that can be used both sitting and standing. To adjust the monitor height, two small **MAC21** control centre lifting columns mounted on a table frame with two **MAC5** lifting columns for adjusting the table height have been used. Movetec lifting columns and technology are designed for the implementation and construction of ergonomic control centre tables/furniture and monitor walls for control centres, complete monitoring and control centre environments, exhibition stands - and wherever many screens or several large screens are needed. Remote control is also possible!

Large control centre lifting columns **MAC5U** or **MAC5** (depending on cable outlet requirements), For construction of screen tables or lifting of very large monitor walls. The speed depends on the required lifting force. Up to 3500N per lifting column!

MOVETEC

True Innovative Moving Technology

Lifting Columns, Control Boxes and Control Panels for Control Centre Tables and Furnitures, as well as building monitor walls

Monitor wall lifting column MAC21, lifts up to 3500N:

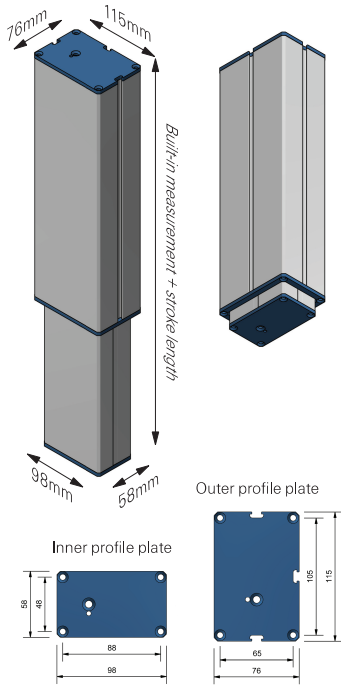
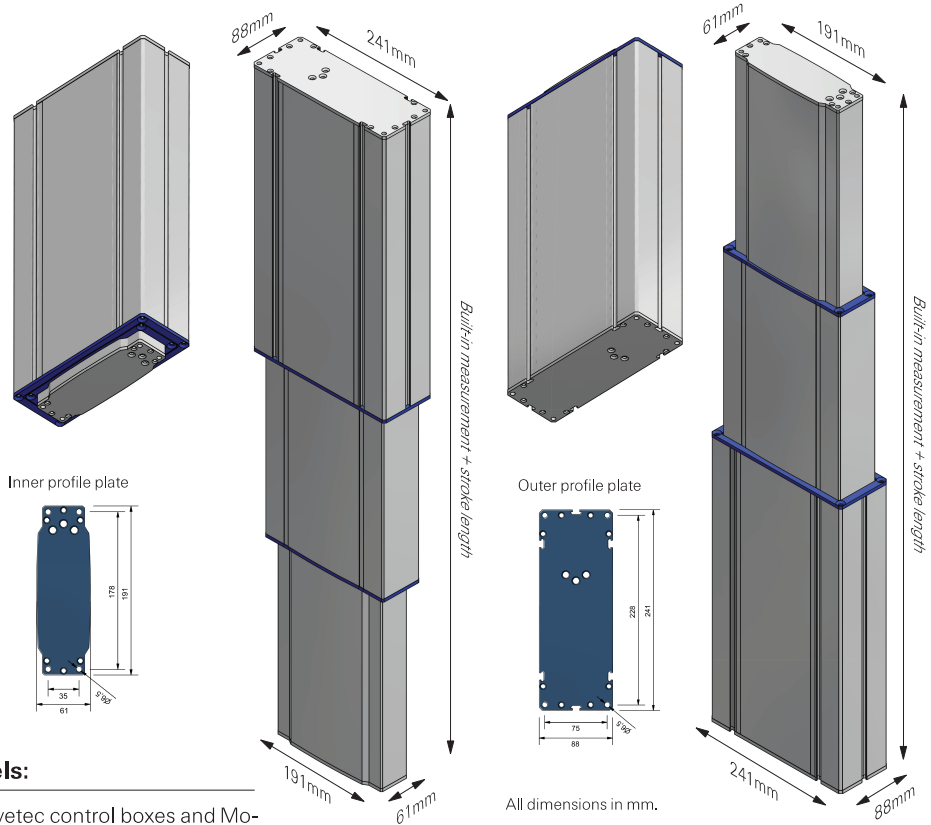


Table frame lifting columns MAC5 and MAC5U, both types can lift up to 3500N:



All dimensions in mm.

Control boxes and control panels:

MAC21/5/5U can be used with all Movetec control boxes and Movetec control panels. Some control boxes can also be programmed for customer-specific functions - please contact us with your wishes, we are looking forward to your call: +45 64 89 28 05.

CAD-drawings:

You can download 3D-drawings (STEP-Data) for MAC21/5/5U for your CAD-Program or as a PDF-file on our homepage.

Lifting columns data:

Lifting column model	Load, push (per lifting column) N	Load, pull (per lifting column) N	Speed, without load (32 VDC) mm/s	Lifting column outer profile dimensions in mm	Lifting column inner profile dimensions in mm	Remote control or Smartphone control option
MAC21	Up to 3500	Up to 3500	30	115x76	98x58	Yes
MAC5	Up to 3500	Up to 3500	40	241x88	191x61	Yes
MAC5U	Up to 3500	Up to 3500	40	241x88	191x61	Yes

Bending moment estimated with reservations. Depending on the size of the tabletop, load and distribution of load/weight. The lifting force 3500N/350 kg only applies if the weight is evenly distributed.

Manuals, installation instructions, approvals/certificates, Safety instructions etc.:

Installation manuals, assembly- and installation instructions, warnings, instructional videos and further information, can be found on our homepage: www.movetec.dk



Further information → www.movetec.dk



Bluetooth® is a registered trademark and are the property of the owner Bluetooth SIG, Inc. Android®/ Google Play® is registered trademarks and are the property of the owner Google Inc. Apple®/ App Store® is registered trademarks and are the property of the owner Apple Inc. Other trademarks and trade names are the property of their respective owners.

© Copyright Movetec Solutions ApS. LKD/OVERV/sb273-UK/3/100/1220



Tel. +45 64 89 28 05 · www.movetec.dk



True Innovative Moving Technology