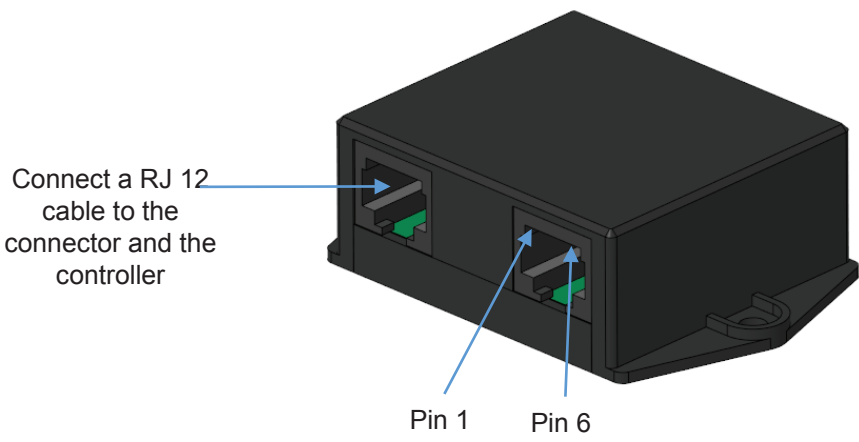


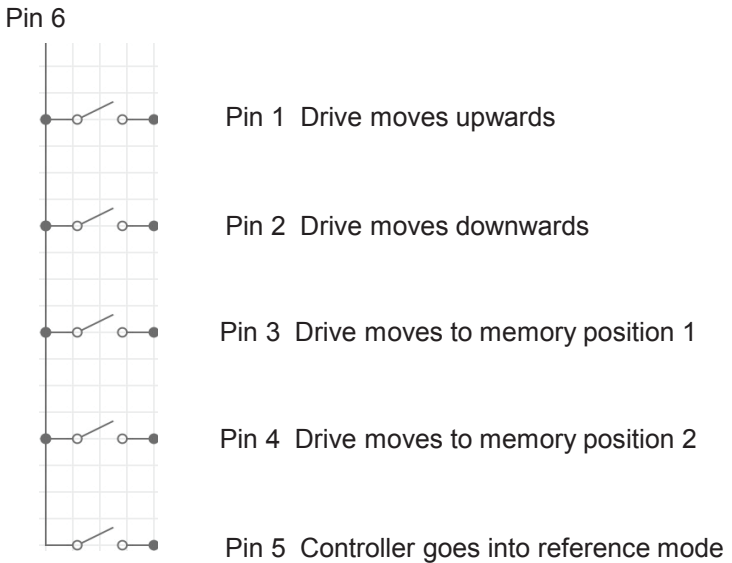
PLC-Adapter-ST

Adapter for operating controllers of the LTC and LMC range with potential-free PLC contacts

Connection	RJ 12
Input	Controller
Output	RJ12 to PLC
Function	The controller executes the requested function when the contacts of the RJ 12 plug are bridged

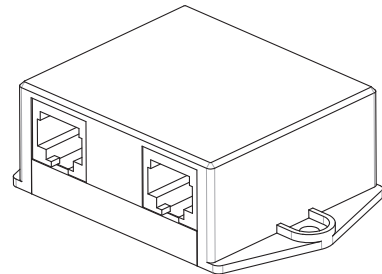
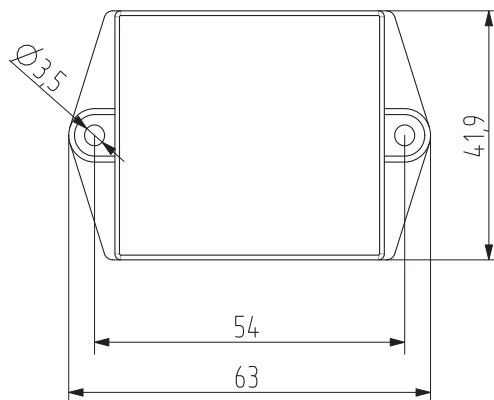
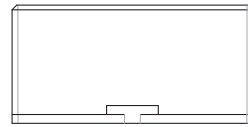
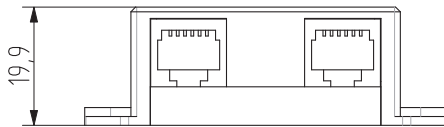


The switching contacts of the PLC relays have to be potential-free!
Only one contact can be closed at a time which connects the according pin to pin 6.



PLC-Adapter-ST

Dimension drawing



Accessories

RJ cable to connect the PLC adapter to the controller.
The cable can also be used for the connection to the PLC.

Available options:

- RJ 12 to RJ 12 cable 0,1 m
- RJ 12 to RJ 12 cable 0,9 m
- RJ 12 to RJ 12 cable 2 m
- RJ 12 to RJ 12 cable 5 m

Adapter RJ 12 to screw connectors:

